

## Product Discontinuation Notices

September 1, 2011

Temperature Controllers

No. 2011315E

### Discontinuation Notice of Temperature Controller A part of E5C2 series

#### Product Discontinuation

Temperature Controller



**E5C2 series**

#### Recommended Replacement

Temperature Controller



**E5CS series**

**Discontinuation date : The end of July, 2012**

#### Caution on recommended replacement

As for E5C2 series and E5CS-U series, the manner of operation is different.  
Before using the product, thoroughly read and understand instruction manual to ensure correct use.

#### Difference from discontinued product

Model	Body Color	Dimensions	Wire connection	Mounting Dimensions	Characteristics	Operation ratings	Operation methods
E5CS	--	*	**	**	*	--	--

\*\* : Fully compatible

\* : The change is a little/Almost compatible

-- : Not compatible

- : No corresponding specification

**Product Discontinuation and recommended replacement**

<b>Product discontinuation</b>	<b>Recommended replacement</b>
E5C2-R40J AC100-120 0-200	E5CS-RKJU-W AC100-240
E5C2-R40J AC100-120 0-300	
E5C2-R40J AC100-120 0-400	
E5C2-R40K AC100-120 0-1000	E5CS-RTU-W AC100-240
E5C2-R40K AC100-120 0-1200	
E5C2-R40P-D AC100-120 0-100	E5CS-RPU-W AC100-240
E5C2-R40P-D AC100-120 0-200	
E5C2-R40P-D AC100-120 0-300	
E5C2-R40P-D AC100-120 0-400	
E5C2-R40P-D AC100-120 0-50	
E5C2-R40P-D AC100-120 -20-80	
E5C2-R40P-D AC100-120 -50-50	
E5C2-R40P-D AC100-120 -50-50	
E5C2-Q20G AC100-120 0-100	E5CS-QGU-W AC100-240
E5C2-Q20G AC100-120 100-200	
E5C2-Q20G AC200-240 100-200	
E5C2-Q20G AC200-240 50-150	E5CS-QKJU-W AC100-240
E5C2-Q20J AC100-120 32-752FW	
E5C2-Q20K AC100-120 32-572W	
E5C2-Q20K AC200-240 32-2192F	E5CS-QTU-W AC100-240
E5C2-Q20K-D AC100-120 32-1112W	
E5C2-Q20K-D AC100-120 32-2192W	
E5C2-Q20K-D AC100-120 32-572W	E5CS-QKJU-W AC100-240
E5C2-Q20K-D AC200-240 32-2192W	E5CS-QTU-W AC100-240
E5C2-Q20P-D AC200-240 0-100	E5CS-QPU-W AC100-240
E5C2-Q20P-D AC200-240 0-200	
E5C2-Q20P-D AC200-240 0-300	
E5C2-Q20P-D AC200-240 0-400	
E5C2-Q20P-D AC200-240 32-212FW	
E5C2-Q40K AC200-240 0-200	E5CS-QKJU-W AC100-240
E5C2-Q40K AC200-240 0-400	E5CS-QTU-W AC100-240
E5C2-Q40K AC200-240 32-1112FW	
E5C2-Q40K AC200-240 32-392FW	
E5C2-Q40K AC200-240 32-752FW	E5CS-QKJU-W AC100-240
E5C2-Q40K-D AC100-120 32-1112W	E5CS-QTU-W AC100-240
E5C2-Q40K-D AC100-120 32-1832W	
E5C2-Q40K-D AC100-120 32-392W	
E5C2-Q40K-D AC100-120 32-752W	E5CS-QKJU-W AC100-240
E5C2-Q40K-D AC200-240 0-200	
E5C2-Q40K-D AC200-240 0-600	
E5C2-Q40K-D AC200-240 32-392W	
E5C2-Q40L-D AC200-240 0-300	

**Product Discontinuation and recommended replacement**

<b>Product discontinuation</b>	<b>Recommended replacement</b>
E5C2-Q40L-D AC200-240 0-400	E5CS-QKJU-W AC100-240
E5C2-Q40L-D AC200-240 50-450	
E5C2-Q40P AC200-240 0-200	E5CS-QPU-W AC100-240
E5C2-Q40P AC200-240 0-50	
E5C2-Q40P-D AC200-240 0-200	
E5C2-Q40P-D AC200-240 50-50	
E5C2-R20G AC100-120 122-302FW	E5CS-RGU-W AC100-240
E5C2-R20G AC100-120 32-212FW	
E5C2-R20G AC100-120 -58-122FW	
E5C2-R20G-D AC100-120 122-302W	
E5C2-R20G-D AC100-120 302-572W	
E5C2-R20G-D AC100-120 -58-122W	
E5C2-R20J AC24 0-200	E5CS-RKJDU-W AC/DC24
E5C2-R20J AC24 0-300	
E5C2-R20K AC100-120 32-572FW	E5CS-RKJU-W AC100-240
E5C2-R20K AC200-240 32-752FW	
E5C2-R20K AC24 0-600	E5CS-RKJDU-W AC/DC24
E5C2-R20L AC24 32-572FW	
E5C2-R20P-D AC100-120 32-752FW	E5CS-RPU-W AC100-240
E5C2-R40K AC100-120 32-1112FW	E5CS-RTU-W AC100-240
E5C2-R40K AC100-120 32-1472FW	
E5C2-R40K AC200-240 32-752FW	E5CS-RKJU-W AC100-240
E5C2-R40K-D AC100-120 0-400	
E5C2-R40K-D AC100-120 32-1472W	E5CS-RTU-W AC100-240
E5C2-R40K-D AC100-120 32-1832W	
E5C2-R40K-D AC100-120 32-2192W	
E5C2-R40K-D AC100-120 32-752W	
E5C2-R40K-D AC200-240 0-1200	E5CS-RTU-W AC100-240
E5C2-R40K-D AC200-240 32-1112W	
E5C2-R40K-D AC200-240 32-752W	E5CS-RKJU-W AC100-240
E5C2-R40K-D AC24 0-400	E5CS-RKJDU-W AC/DC24
E5C2-R40L-D AC100-120 32-572W	E5CS-RKJU-W AC100-240
E5C2-R40L-D AC100-120 50-450	
E5C2-R40L-D AC24 0-200	E5CS-RKJDU-W AC/DC24
E5C2-R40L-D-34 AC24 0-100	
E5C2-R40P-D AC200-240 32-392FW	E5CS-RPU-W AC100-240
E5C2-Q40K AC100-120 0-400	E5CS-QKJU-W AC100-240
E5C2-R20J AC100-120 50-450	E5CS-RKJU-W AC100-240
E5C2-R20J AC200-240 50-450	
E5C2-R20J AC24 0-400	E5CS-RKJDU-W AC/DC24
E5C2-R20J AC24 32-392°FW	
E5C2-R20K AC100-120 0-100	E5CS-RKJU-W AC100-240



**Product Discontinuation and recommended replacement**

<b>Product discontinuation</b>	<b>Recommended replacement</b>
E5C2-R20K AC100-120 32-1472FW	E5CS-RTU-W AC100-240
E5C2-R20K AC200-240 0-100	E5CS-RKJU-W AC100-240
E5C2-R20K AC200-240 32-572FW	
E5C2-R20L-D AC100-120 0-200	
E5C2-R20L-D AC100-120 0-300	
E5C2-R20L-D AC100-120 0-400	
E5C2-R20L-D AC100-120 50-450	
E5C2-R20L-D AC200-240 0-200	
E5C2-R20L-D AC200-240 0-300	
E5C2-R20L-D AC200-240 0-400	
E5C2-R20L-D AC200-240 0-600	
E5C2-R20L-D AC200-240 50-450	
E5C2-R20L-D AC24 0-200	E5CS-RKJDU-W AC/DC24
E5C2-R20L-D AC24 0-300	
E5C2-R20L-D AC24 50-450	
E5C2-R20P-D AC100-120 32-212FW	E5CS-RPU-W AC100-240
E5C2-R20P-D AC100-120 32-572FW	
E5C2-R20P-D AC200-240 32-122FW	
E5C2-R20P-D AC200-240 32-392FW	
E5C2-R20P-D AC200-240 32-572FW	
E5C2-R20P-D AC24 0-100	
E5C2-R20P-D AC24 0-200	E5CS-RPDU-W AC/DC24
E5C2-R20P-D AC24 0-300	
E5C2-R40J AC200-240 32-572FW	
E5C2-R40J AC200-240 32-752FW	E5CS-RKJU-W AC100-240
E5C2-R40J AC200-240 50-450	
E5C2-R40K AC200-240 0-100	
E5C2-R40K AC200-240 32-1112FW	E5CS-RTU-W AC100-240
E5C2-R40L-D AC100-120 0-300	E5CS-RKJU-W AC100-240
E5C2-R40L-D AC200-240 0-200	
E5C2-R40L-D AC200-240 0-300	
E5C2-R40L-D AC200-240 0-400	
E5C2-R40L-D AC200-240 50-450	
E5C2-R20K-D AC100-120 0-200	
E5C2-R20K-D AC100-120 0-400	
E5C2-R20K-D AC100-120 0-800	
E5C2-R20K-D AC100-120 32-1472W	E5CS-RTU-W AC100-240
E5C2-R20K-D AC100-120 32-1832W	
E5C2-R20K-D AC100-120 32-2192W	
E5C2-R20K-D AC100-120 32-392FW	E5CS-RKJU-W AC100-240
E5C2-R20K-D AC100-120 32-572FW	
E5C2-R20K-D AC200-240 32-1112W	E5CS-RTU-W AC100-240

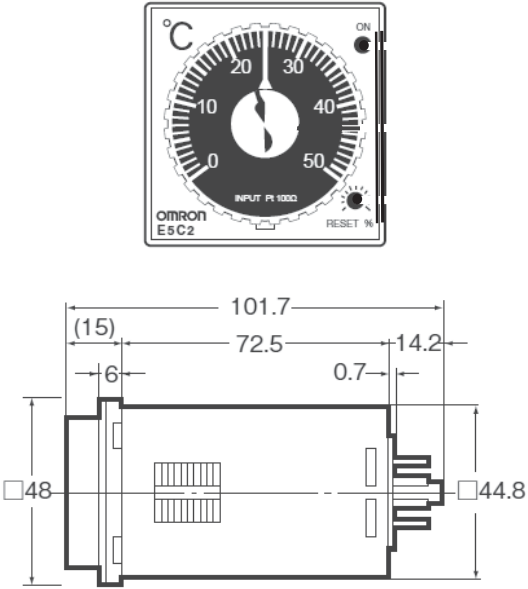
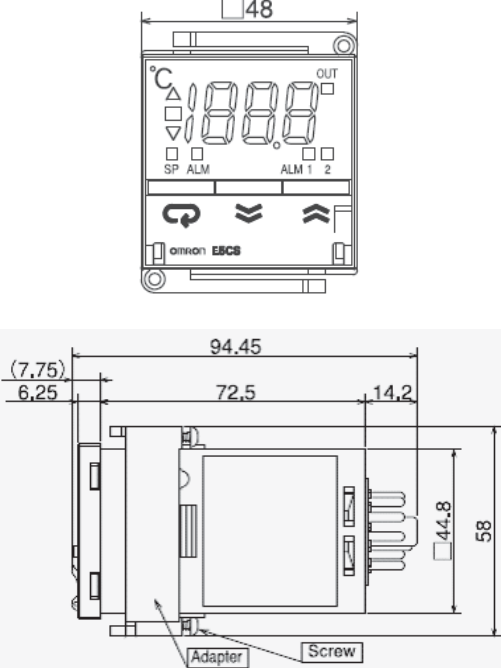
**Product Discontinuation and recommended replacement**

Product discontinuation	Recommended replacement
E5C2-R20K-D AC200-240 32-572W	E5CS-RKJU-W AC100-240
E5C2-R20K-D AC200-240 32-752W	
E5C2-R20K-D AC200-240 0-300	
E5C2-R40K-D AC200-240 0-600	
E5C2-R40J AC100-120 50-450	
E5C2-R40J AC200-240 0-200	
E5C2-R40J AC200-240 0-300	
E5C2-R40J AC200-240 0-400	
E5C2-R40K AC200-240 0-1000	E5CS-RTU-W AC100-240
E5C2-R40K AC200-240 0-1200	
E5C2-R40K AC200-240 0-300	E5CS-RKJU-W AC100-240
E5C2-R40K AC200-240 0-600	
E5C2-R40K AC200-240 0-800	E5CS-RPU-W AC100-240
E5C2-R40P-D AC200-240 0-100	
E5C2-R40P-D AC200-240 0-200	
E5C2-R40P-D AC200-240 0-300	
E5C2-R40P-D AC200-240 0-400	
E5C2-R40P-D AC200-240 0-50	
E5C2-R40P-D AC200-240 -20-80	
E5C2-R40P-D AC200-240 -50-50	

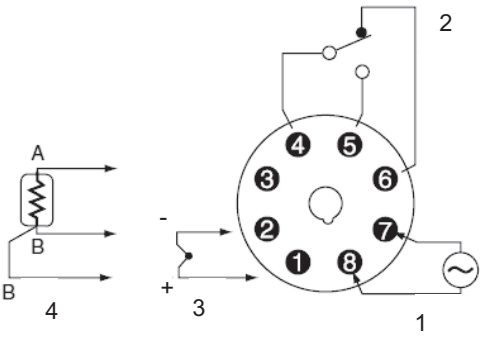
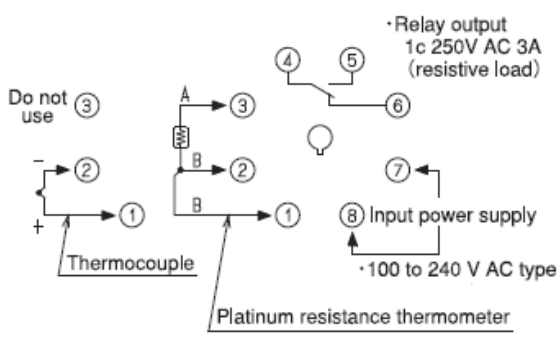
**Body Color**

Product discontinuation E5C2 series	Recommendable replacement E5CS series
<p>Light gray</p> 	<p>Light gray</p> 

## Dimensions

Product discontinuation E5C2 series	Recommendable replacement E5CS series
 <p>* The adaptor is the same as E5CS.</p>	

## Wire Connection

Product discontinuation E5C2 series	Recommendable replacement E5CS series
 <p>1: Input power supply 100 to 120 V AC          2: Relay output 1c 250V AC 3A (resistive load)          3: Thermocouple          4: Platinum resistance thermometer</p> <p>Applicable connection sockets          (Only separately) P2CF-08, P3G-08</p>	 <p>Do not use ③</p> <p>④ ⑤</p> <p>⑥</p> <p>⑦</p> <p>⑧ Input power supply          ·100 to 240 V AC type</p> <p>·Relay output          1c 250V AC 3A          (resistive load)</p> <p>Thermocouple</p> <p>Platinum resistance thermometer</p> <p>Applicable connection sockets          (Only separately) P2CF-08, P3G-08</p>

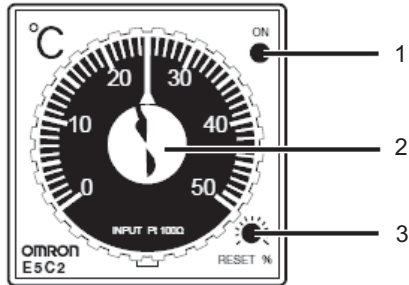
## Characteristics / Operation Ratings

Product discontinuation E5C2 series	Recommendable replacement E5CS series
<p><b>Input power supply</b> 100 to 120 V AC 50/60Hz</p> <p><b>Operating voltage range</b> 90 to 110% of the rated voltage</p> <p><b>Power consumption</b> Approx. 3 VA</p> <p><b>Accuracy</b> Setting accuracy ±2%FS max.</p> <p><b>Output Specifications</b> Control output Relay output 1c 250V AC 3A (resistive load)</p> <p><b>Control method</b> Proportion</p>	<p>100 to 240 V AC 50/60Hz</p> <p>85 to 110% of the rated voltage</p> <p>Approx. 2.5 VA (ability value of recommend replacement) * Instruction manual : Approx. 5VA (E5CS series)</p> <p>Indication accuracy</p> <ul style="list-style-type: none"> <li>- Thermocouple : (±1.0 % of indication value or ±2°C, whichever is greater) ±1 digit max.</li> <li>- Platinum resistance thermometer (±0.5 % of indication value or ±1°C, whichever is greater) ±1 digit max.</li> <li>- Thermistor (1.0 % FS) ±1 digit max.</li> </ul> <p>Control output Relay output 1c 250V AC 3A (resistive load)</p> <p>ON/OFF or 2-PID control</p>

## Operation methods

### Product discontinuation E5C2 series

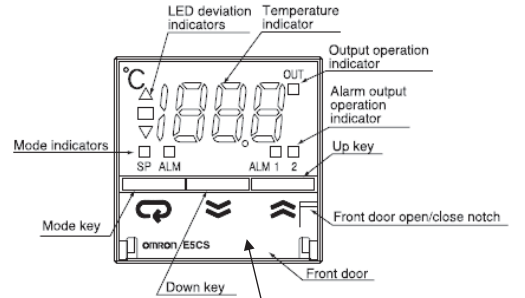
Setting with analog dial



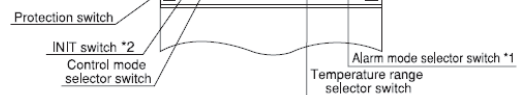
- 1: Temperature setting knob
- 2: Operation indicator
- 3: RESET shaft

### Recommendable replacement E5CS series

Setting with key and switch



Pull forward on the front door open/close notch on the right of the front panel to open the front door. Open the front door only when setting the switches. Do not open it at any other time.



- \*1 There is no alarm mode selector switch on models without an alarm.
- \*2 The INIT switch is always OFF.

\* Please refer to the instruction manual for a detailed content.