

## Product Discontinuation Notices

September 1, 2011

Safety Door Switches

No. 2011310E

### Discontinuation Notice of part of D4NH series

#### Product Discontinuation

Safety-Door Hinge Switch



D4NH-3□□□□  
D4NH-5□□□□  
D4NH-7□□□□  
D4NH-9□□□□



#### Recommended Replacement

Safety-Door Hinge Switch

D4NH-4□□□□  
D4NH-1□□□□  
D4NH-4□□□□  
D4NH-4□□□□

**Discontinuation date : The end of March, 2012**

#### Caution on recommended replacement

- Appearance and dimensions are different
- Number of conduit and/or conduit size are different

#### Difference from discontinued product

Model	Body Color	Dimensions	Wire connection	Mounting Dimensions	Characteristics	Operation ratings	Operation methods
D4NH-1□□□□ D4NH-4□□□□	**	--	**	**	**	**	**

\*\* : Fully compatible

\* : The change is a little/Almost compatible

-- : Not compatible

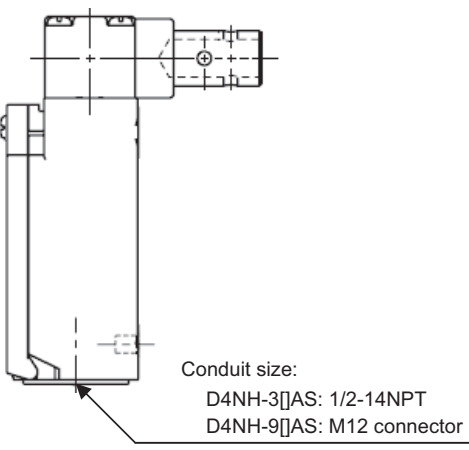
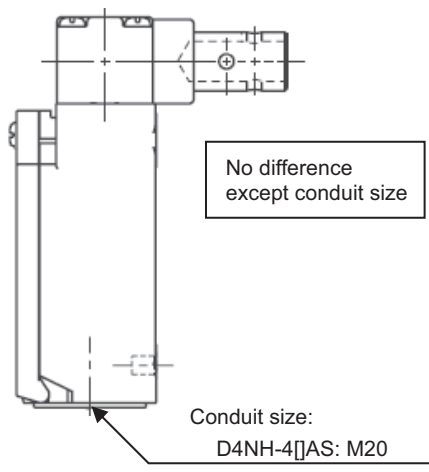
- : No corresponding specification

## Product Discontinuation and recommended replacement

Product discontinuation	Recommended replacement
D4NH-3AAS	D4NH-4AAS
D4NH-3BAS	D4NH-4BAS
D4NH-3CAS	D4NH-4CAS
D4NH-3DAS	D4NH-4DAS
D4NH-3EAS	D4NH-4EAS
D4NH-3FAS	D4NH-4FAS
D4NH-3ABC	D4NH-4ABC
D4NH-3BBC	D4NH-4BBC
D4NH-3CBC	D4NH-4CBC
D4NH-3DBC	D4NH-4DBC
D4NH-3EBC	D4NH-4EBC
D4NH-3FBC	D4NH-4FBC
D4NH-5AAS	D4NH-1AAS
D4NH-5BAS	D4NH-1BAS
D4NH-5CAS	D4NH-1CAS
D4NH-5DAS	D4NH-1DAS
D4NH-5EAS	D4NH-1EAS
D4NH-5FAS	D4NH-1FAS
D4NH-5ABC	D4NH-1ABC
D4NH-5BBC	D4NH-1BBC
D4NH-5CBC	D4NH-1CBC
D4NH-5DBC	D4NH-1DBC
D4NH-5EBC	D4NH-1EBC
D4NH-5FBC	D4NH-1FBC

Product discontinuation	Recommended replacement
D4NH-7AAS	D4NH-4AAS
D4NH-7BAS	D4NH-4BAS
D4NH-7CAS	D4NH-4CAS
D4NH-7DAS	D4NH-4DAS
D4NH-7EAS	D4NH-4EAS
D4NH-7FAS	D4NH-4FAS
D4NH-7ABC	D4NH-4ABC
D4NH-7BBC	D4NH-4BBC
D4NH-7CBC	D4NH-4CBC
D4NH-7DBC	D4NH-4DBC
D4NH-7EBC	D4NH-4EBC
D4NH-7FBC	D4NH-4FBC
D4NH-9AAS	D4NH-4AAS
D4NH-9BAS	D4NH-4BAS
D4NH-9CAS	D4NH-4CAS
D4NH-9DAS	D4NH-4DAS
D4NH-9EAS	D4NH-4EAS
D4NH-9FAS	D4NH-4FAS
D4NH-9ABC	D4NH-4ABC
D4NH-9CBC	D4NH-4CBC
D4NH-9DBC	D4NH-4DBC
D4NH-9EBC	D4NH-4EBC
D4NH-9FBC	D4NH-4FBC

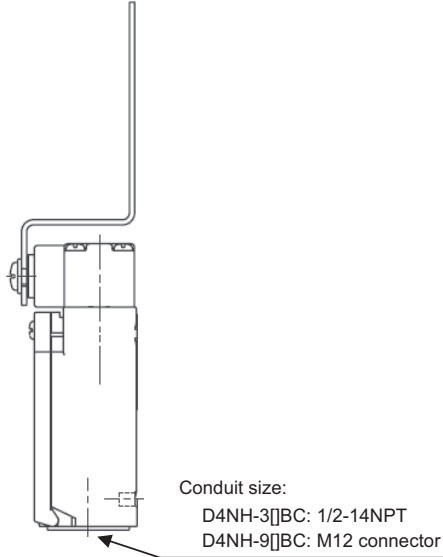
## Dimensions

Product discontinuation	Recommendable replacement
<p>Model D4NH-3[]AS / D4NH-9[]AS</p>  <p>Conduit size: D4NH-3[]AS: 1/2-14NPT D4NH-9[]AS: M12 connector</p>	<p>Model D4NH-4[]AS</p>  <p>No difference except conduit size</p> <p>Conduit size: D4NH-4[]AS: M20</p>

# Dimensions

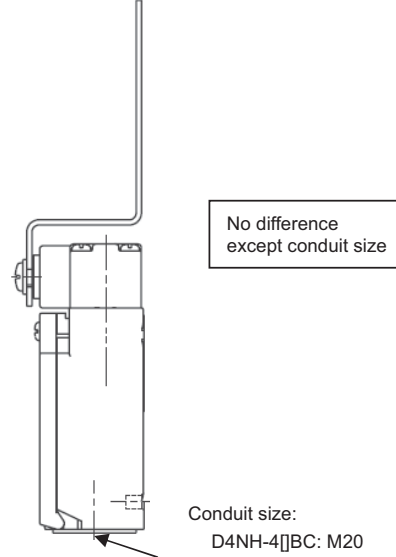
## Product discontinuation

Model D4NH-3[ ]BC / D4NH-9[ ]BC

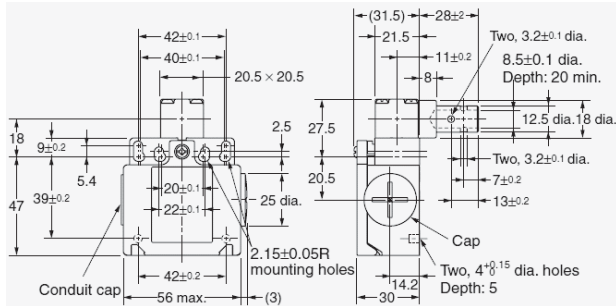


## Recommendable replacement

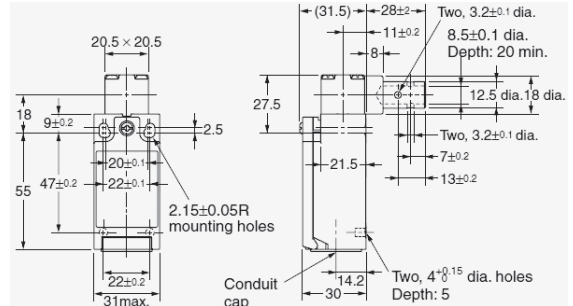
Model D4NH-4[ ]BC



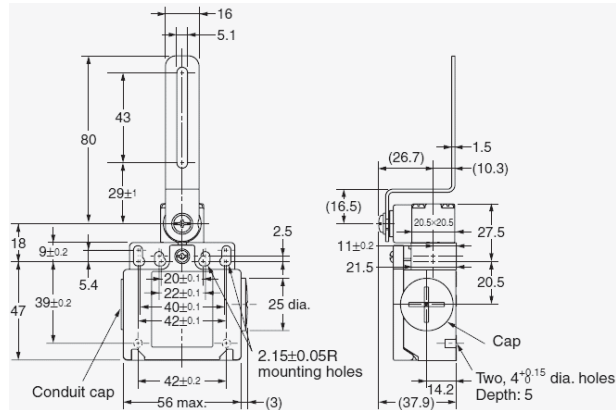
Model D4NH-5[ ]AS / D4NH-7[ ]AS



Model D4NH-4[ ]AS



Model D4NH-5[ ]BC / D4NH-7[ ]BC



Model D4NH-4[ ]BC

