

**Product Discontinuation
Notices**

April 4, 2011

Frequency Inverters

No. 2011121E

**Discontinuation Notice of Compact Low-noise
3G3EV Series Single-phase 100VAC Type**

Product Discontinuation

Compact Low-noise Inverter

Recommended Replacement



3G3EV-A1□□□□□

None

Discontinuation date : The end of March, 2012

Caution on recommended replacement

The 3G3EV Series (single-phase 100VAC type) Inverters will be discontinued since procurement for some parts became impossible. Omron does not have recommended replace model. Please consider to replace 3G3EV Series Inverter with Single-phase 200VCA type Inverter.

Product Discontinuation and recommended replacement

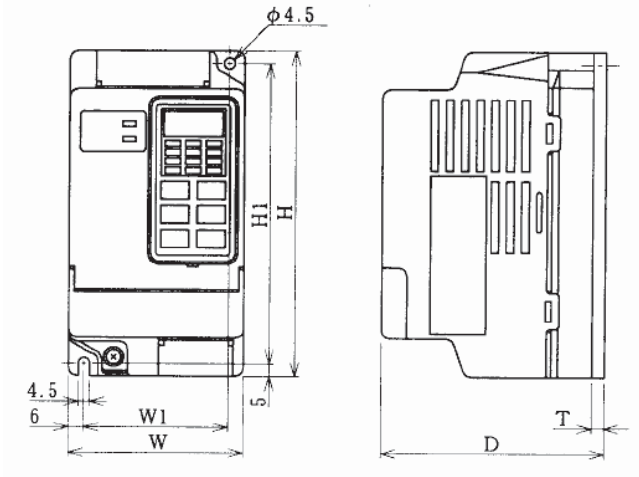
Product code	Product discontinuation	Recommended replacement
3G3E1040H	3G3EV-A1001	None
3G3E1048C	3G3EV-A1001M	
3G3E1041F	3G3EV-A1002	
3G3E1049A	3G3EV-A1002M	
3G3E1042D	3G3EV-A1004	
3G3E1050E	3G3EV-A1004M	
3G3E1043B	3G3EV-A1007	
3G3E1051C	3G3EV-A1007M	
3G3E1038F	3G3EV-PCN123	
3G3E1039D	3G3EV-PCN323	
3G3E1019M	3G3EV-PETX3200	
3G3E1031R	3G3EV-PJVOP120ES	
3G3E1037H	3G3EV-PJVOP122	
3G3E1052A	3G3EV-PJVOP125	
3G3E1032G	3G3EV-PLNFB2102DY	
3G3E1033E	3G3EV-PLNFB2152DY	
3G3E1034C	3G3EV-PLNFB2202DY	
3G3E1053M	3G3EV-PLNFB2302DY	
3G3E1035A	3G3EV-PLNFD2103DY	
3G3E1036M	3G3EV-PLNFD2153DY	
3G3E1125M	3G3EV-PLNFD2203DY	
3G3E1126R	3G3EV-PLNFD2303DY	
3G3E1127G	3G3EV-PLNFD4053DY	
3G3E1128E	3G3EV-PLNFD4103DY	
3G3E1129C	3G3EV-PLNFD4153DY	
3G3E1130G	3G3EV-PLNFD4203DY	
3G3E1131E	3G3EV-PLNFD4303DY	
3G3E1020C	3G3EV-PSPAT3	
3G3E1021A	3G3EV-PSPAT4	
3G3J1025F	3G3JV-PRS3020J	
3G3J1024H	3G3JV-PRS3010J	
3G3J1023M	3G3JV-PRS3005J	
3G3J1022A	3G3JV-PRS2030J	
3G3J1009D	3G3JV-PRS1020J	
3G3J1008F	3G3JV-PRS1010J	
3G3J1007H	3G3JV-PRS2020J	
3G3J1006M	3G3JV-PRS2010J	

Dimensions/Mounting Dimensions

**Product discontinuation
3G3EV-A1□□□□**

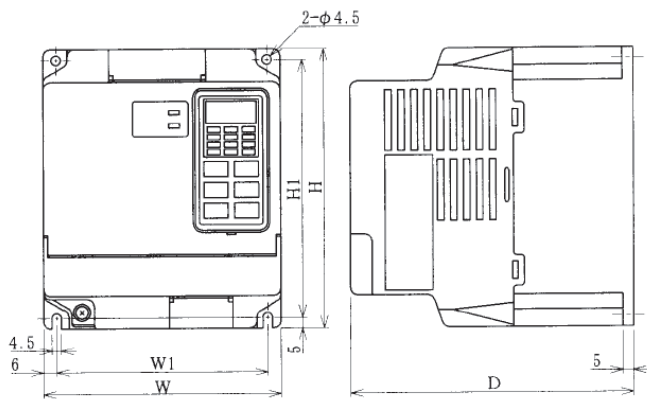
3G3EV-A1001 to -A1002 (0.1 to 0.2kw)

形 3G3EV-	出力	W	H	D	W1	H1	T
A1001	0.1 kW	68	128	95	56	118	3
A1002	0.2 kW			108			



3G3EV-A1004 to -A1007 (0.4 to 0.75kw)

形 3G3EV-	出力	W	H	D	W1	H1
A1004	0.4 kW	108	128	130	96	118
A1007	0.75kW			155		

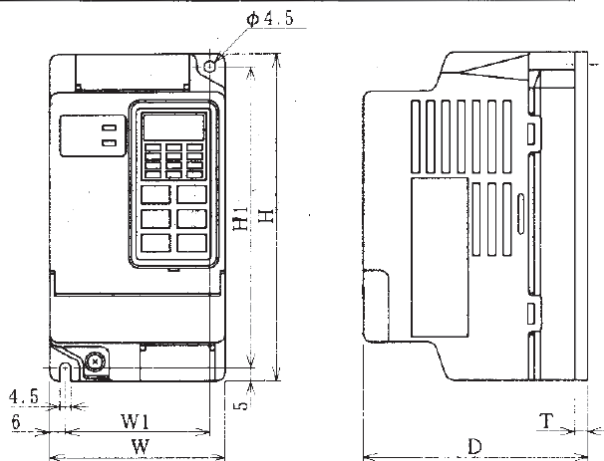


Dimensions/Mounting Dimensions

**Product discontinuation
3G3EV-A1□□□□**

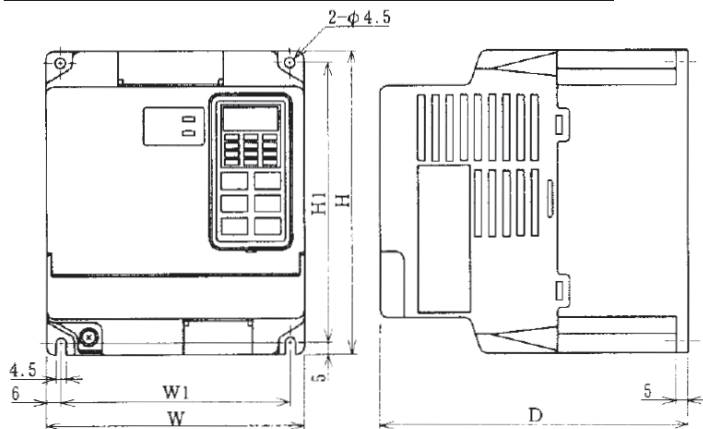
3G3EV-A1001M to -A1002M (0.1 to 0.2kw)

形 3G3EV-	出力	W	H	D	W1	H1	T
A1001M	0.1 kW	68	128	95	56	118	3
A1002M	0.2 kW			108			



3G3EV-A1004M to -A1007M (0.4 to 0.75kw)

形 3G3EV-	出力	W	H	D	W1	H1
A1004M	0.4 kW	108	128	130	96	118
A1007M	0.75kW			155		



Rated Performance

Item	Product discontinuation 3G3EV-A1□□□□
Rated Input Voltage	Single-phase 100 to 115 VAC ±10%, 50/60Hz ± 5%
Ambient Operating Temperature	-10 to +50 °C
Ambient Operating Humidity	90%RH max. (with no condensation)
Protective structure	Panel mounting
Weight	Changes with the model.

Operation ratings

Item	Product discontinuation 3G3EV-A1□□□□
Rated output current	Changes with the model.
Maximum output frequency	400Hz (Parameter setting)
Carrier frequency	2.5 to 10kHz
Braking torque	Approximately 20% (125 to 220% when braking resistor is externally installed.)
Acceleration/deceleration time	0 to 999 sec
Overload resistance	1 minute or less when 150% of rated output current is received.
Frequency control range	3G3EV-A1□□□□: 1.5 to 400Hz/3G3EV-A1□□□□M: 0.5 to 400Hz
Frequency output resolution (Changes with temperature)	Digital command: ±0.01% (-10 to +50°C) Analog command: ±1% (+25±10°C)
Frequency setting resolution	Digital command: 0.1Hz (lower than 100Hz)/1Hz (100Hz or more) Analog command: 0.06Hz (60Hz)