

Product Discontinuation Notices

March 2, 2009

Servomotors/Servo Drivers

No.2009090E

Discontinuation Notice of Position drivers. OMNUC FND-X series

Product Discontinuation



Position Driver (DIO Type)
FND-X[]

Position Driver (CompoBus/S Type)
FND-X[]-SRT



Recommended Replacement

SYSMAC Position Control Unit

plus

**OMNUC G Series
AC Servo Motors / Drivers**

Discontinuation date : The end of March ,2010

As to the Position Driver FND-X Series which has been favorably accepted and used by our customers since 1992, decision has been made to terminate its production because of the difficulty of maintaining the parts adopted for the series in recent years. There's not a recommended replacement product available for the Series itself, but our OMNUC G Series plus SYSMAC Position Control Unit can be used as the replacement. We would like you to consider adopting our products after checking the whole system including the PLC program on the host side.

Caution on recommended replacement

- External dimensions and mounting dimension are different, and holes need to be made on the control panel. (If it is difficult to make holes on the control panel, use the mounting holes for the existing Position Driver now in use and additionally manufacture replaceable metal fittings.
- When using the replacement system, all of the Position Driver, motor and cables need to be changed.
- Host controller parameters and programs need to be changed.
- Additional wiring between the host controller and the Servo Drive is required.
- Parameter settings are required for the Servo Drive.

Difference from discontinued product

Model	Body Color	Dimensions	Wire connection	Mounting Dimensions	Characteristics	Operation ratings	Operation methods
CJ1M-CPU2[] plus R88D-GT[]	--	--	--	--	--	--	--
CJ1W-NC[]71 plus R88D-GN[]	--	--	--	--	--	--	--

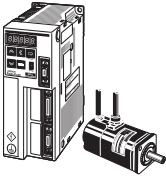
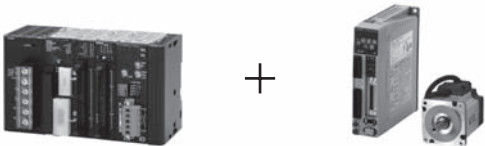
** : Fully compatible

* : The change is a little/Almost compatible

-- : Not compatible

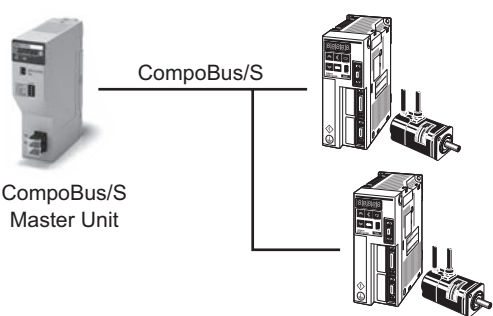
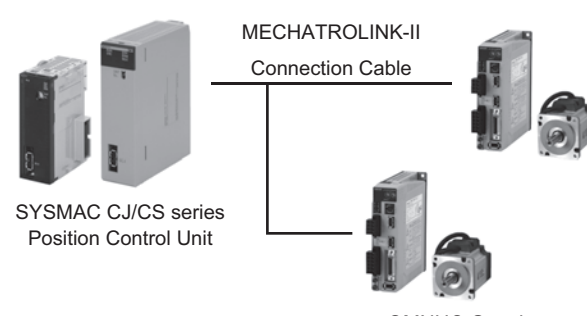
- : No corresponding specification

Product Discontinuation and recommended replacement (Typical model)

Product discontinuation	Recommendable replacement
 <p>FND-X[] (DIO Type)</p>	 <p>CJ1M-CPU2[] (Built-in Pulse output) Function Type</p> <p>OMNUC G series AC Servo Motor/Driver</p>

Product discontinuation	Recommendable replacement
FND-X06H	R88D-GT01H
	CJ1M-CPU21
	CJ1W-PA201
	CJ1W-MD231

Product Discontinuation and recommended replacement (Typical model)

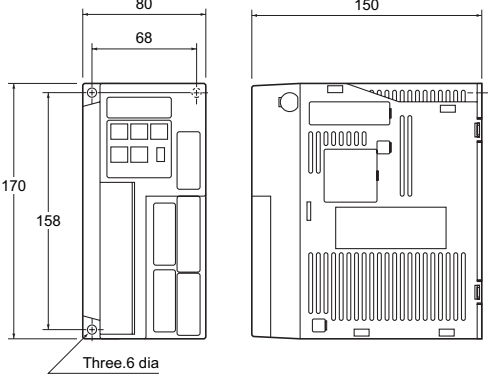
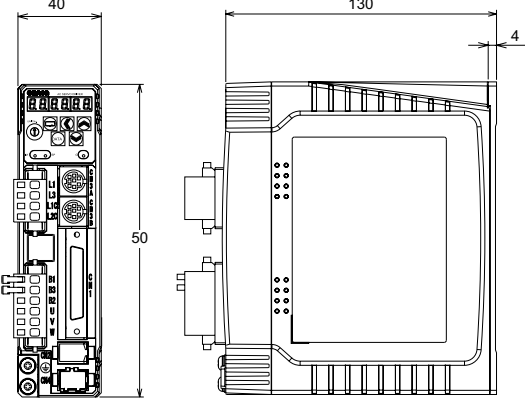
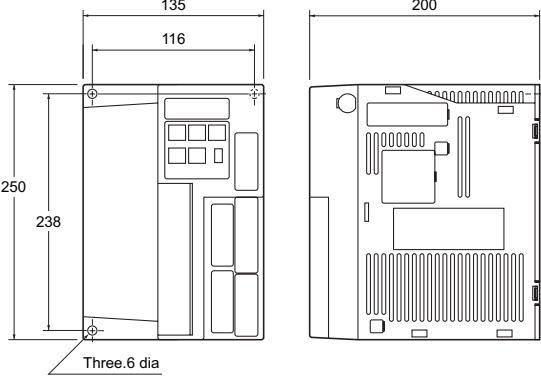
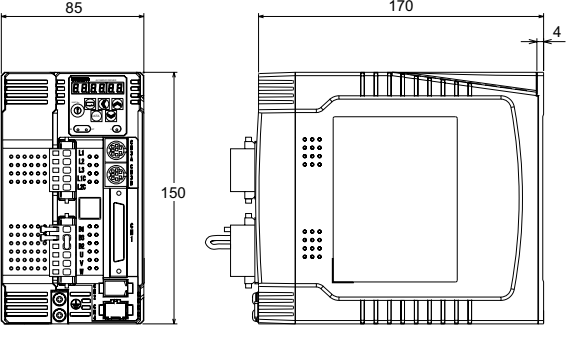
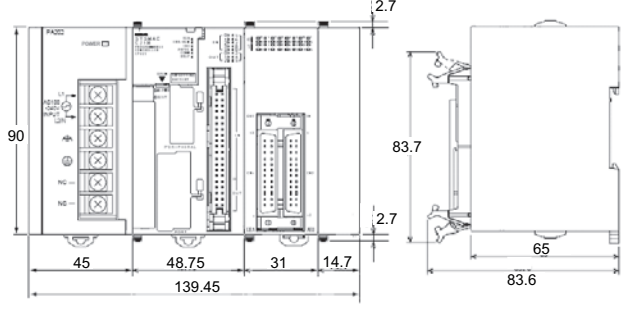
Product discontinuation	Recommendable replacement
<div style="text-align: center;">  <p style="text-align: center;">CompoBus/S Master Unit</p> <p style="text-align: center;">FND-X[]-DRT (CompoBus/S Type)</p> </div> <p style="font-size: small;">Notes: The CompoBus/S Master Unit is off the subject of the production excepted completion.</p>	<div style="text-align: center;">  <p style="text-align: center;">SYSMAC CJ/CS series Position Control Unit</p> <p style="text-align: center;">OMNUC G series AC Servo Motor/Driver With Built-In MECHATROLINK-II Communications</p> </div>

Product discontinuation	Recommendable replacement
FND-X06H-SRT	R88D-GN01H-ML2
	CJ1W-NC271

Body color

Product discontinuation	Recommendable replacement
FND-X[] : Ivory white	R88D-GT[] : Ivory white CJ1M-CPU2[] : Black
	R88D-GN[] : Ivory white CJ1W-NC[]71 : Black

Dimensions (Typical Model)

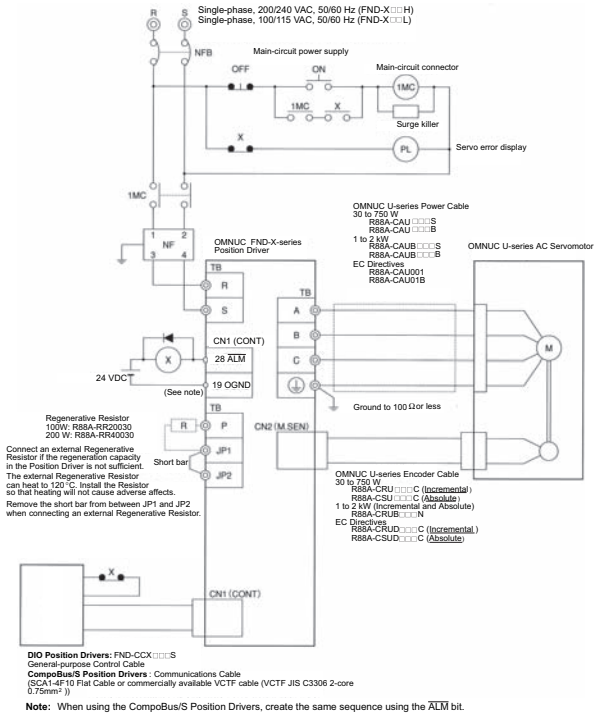
<p align="center">Product discontinuation FND-X[]</p>	<p align="center">Recommendable replacement R88D-G[] / CJ1M-CPU2[]</p>
<p>FND-X06H-[]</p> 	<p>R88D-G[]01H-[]</p>  <p>Notes : Controller's installation space is needed separately besides the servo driver. (Refer to following "Example of setting shape CJ1M-CPU21".)</p>
<p>FND-X50H-[]</p> 	<p>R88D-G[]015H-[]</p>  <p>Notes : Controller's installation space is needed separately besides the servo driver. (Refer to following "Example of setting shape CJ1M-CPU2[]".)</p>
<p>Example of setting shape CJ1M-CPU2[]</p> 	

Wire Connection

Product discontinuation FND-X□

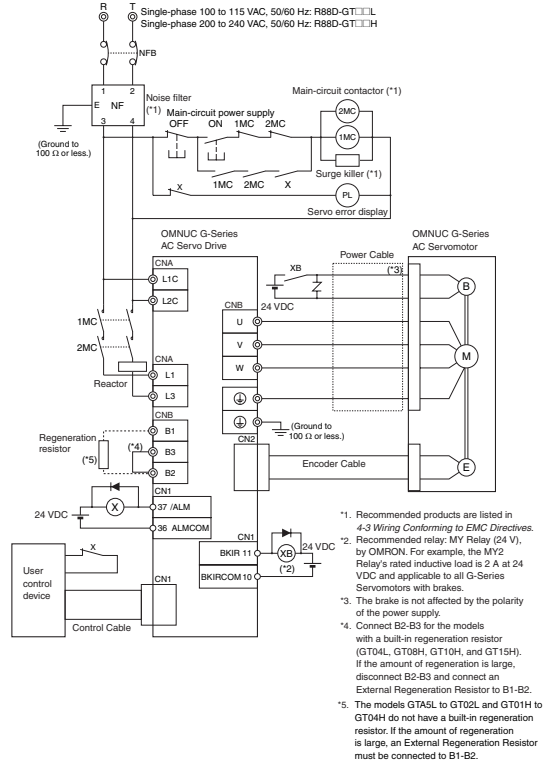
Connecting to Peripheral Device

FND-X06L-□ / -X12L-□
FND-X06H-□ / -X12H-□ / -X25H-□



Recommendable replacement R88D-G□

R88D-G□A5L-□ / -G□01L-□ / -G□02L-□ / -G□04L-□
R88D-G□01H-□ / -G□02H-□ / -G□04H-□ / -G□08H-□

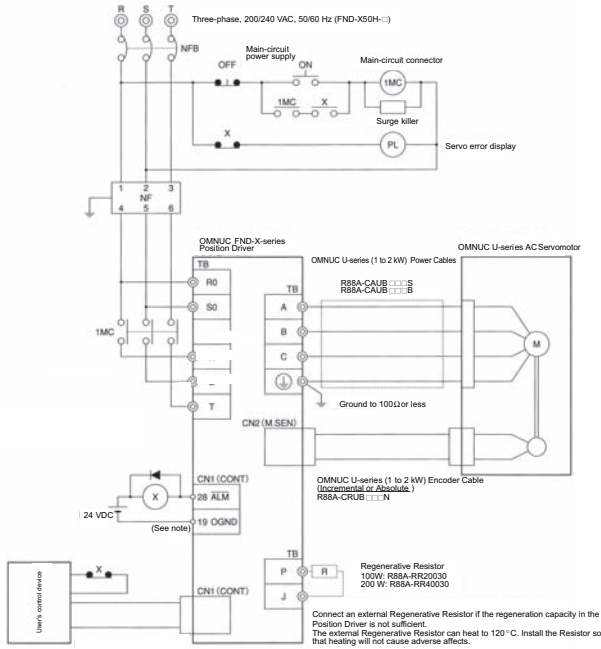


- Recommended products are listed in 4-3 Wiring Conforming to EMC Directives.
- Recommended relay: MY Relay (24 V), by OMRON. For example, the MY2 Relay's rated inductive load is 2 A at 24 VDC and applicable to all G-Series Servomotors with brakes.
- The brake is not affected by the polarity of the power supply.
- Connect B2-B3 for the models with a built-in regeneration resistor (GT04L, GT08H, GT10H, and GT15H). If the amount of regeneration is large, disconnect B2-B3 and connect an External Regeneration Resistor to B1-B2.
- The models GTA5L to GT02L and GT01H to GT04H do not have a built-in regeneration resistor. If the amount of regeneration is large, an External Regeneration Resistor must be connected to B1-B2.

Wire Connection

Product discontinuation FND-X□

Connecting to Peripheral Device FND-X50H-□

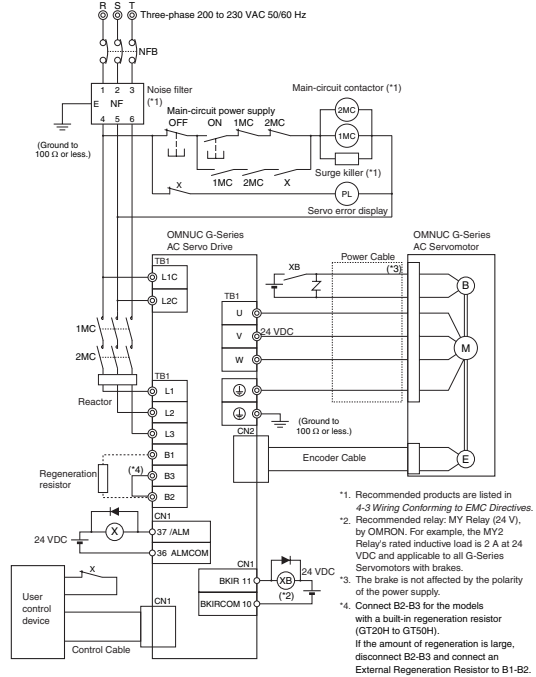


DIO Position Drivers: FND-CCX□□□S
General-purpose Control Cable
CompoBus/S Position Drivers: Communications Cable
(SCA1-HF10 Flat Cable or commercially available VCTF cable (VCTF-JIS C3306 2-core 0.75mm²))

Note: When using the CompoBus/S Position Drivers, create the same sequence using the ALM bit.

Recommendable replacement R88D-G□

R88D-G□15H-□ / -G□20H-□



- *1. Recommended products are listed in 4-3 Wiring Conforming to EMC Directives.
- *2. Recommended relay: MY Relay (24 V), by OMRON. For example, the MY2 Relay's rated inductive load is 2 A at 24 VDC and applicable to all G-Series Servomotors with brakes.
- *3. The brake is not affected by the polarity of the power supply.
- *4. Connect B2-B3 for the models with a built-in regenerative resistor (GT20H to GT50H). If the amount of regeneration is large, disconnect B2-B3 and connect an External Regeneration Resistor to B1-B2.

Characteristics

Product discontinuation FND-X□	Recommendable replacement R88D-G□
<p>Input power supply FND-X06H-□ / -X12H-□ / -X25H-□ Single-phase 200/230 VAC 50/60 Hz</p> <p>FND-X50H-□ Three-phase 200/230 VAC 50/60 Hz</p> <p>FND-X□L-□ Single-phase 100/115 VAC 50/60 Hz</p>	<p>R88D-G□01H-□ / -G□02H-□ / -G□04H-□ Main circuits : Single-phase 200/230 VAC 50/60 Hz Control circuits : Single-phase 200/230 VAC 50/60 Hz</p> <p>R88D-G□08H-□ / -G□15H-□ Main circuits : Three-phase 200/230 VAC 50/60 Hz or Single-phase 200/230 VAC 50/60 Hz Control circuits : Single-phase 200/230 VAC 50/60 Hz</p> <p>R88D-G□20H-□ Main circuits : Three-phase 200/230 VAC 50/60 Hz Control circuits : Single-phase 200/230 VAC 50/60 Hz</p> <p>R88D-G□L-□ Main circuits : Single-phase 100/115 VAC 50/60 Hz Control circuits : Single-phase 100/115 VAC 50/60 Hz</p>
<p>Operating ambient temperature 0°C to 55°C</p>	<p>0°C to 55°C</p>
<p>Operating ambient humidity 35% to 90% RH(with no condensation)</p>	<p>90% RH max (with no condensation)</p>
<p>Storage ambient temperature -10°C to 75°C</p>	<p>-20°C to 65°C</p>
<p>Storage ambient humidity 35% to 90% RH(with no condensation)</p>	<p>90% RH max (with no condensation)</p>
<p>Insulation resistance Between power line terminals and case :5 MΩ min.(at 500 VDC)</p>	<p>Between power line terminals and case :0.5 MΩ min.(at 500 VDC)</p>
<p>Dielectric strength Between power line terminals and case :1,500 VAC for 1min (20 mA max) at 50/60 Hz</p>	<p>Between power line terminals and case :1,500 VAC for 1min (20 mA max) at 50/60 Hz</p>