

### Discontinuation Notice of E5EZ-PRR series.

#### Product Discontinuation

Digital Position-Proportional Controllers



**Model E5EZ-PRR series**



#### Recommended Replacement

Digital Temperature Controller

**Model E5EC-PR-8[ ][ ] series**

#### [ Discontinuation date ]

The end of March, 2015

#### [ Caution on recommended replacement ]

- Wiring and terminal arrangement are changed. Be sure to wire properly.
- RS-485 is the only communication method on E5EC-PR-8[ ][ ] series. (RS-232C not usable)
- Thermocouple input model and platinum resistance thermometer input model are unite model on E5EC-PR-8[ ][ ] series.
- The indication accuracy on E5EC-PR-8[ ][ ] series is better than E5EZ-PRR series.
- Between E5EZ-PRR and E5EC-PR-8[ ][ ] series, there are differences of alarm type and operation method.
- Before using E5EC-PR-8[ ][ ], throughly read and understand instruction manual to ensure correct use.

#### [ Difference from discontinued product ]

Recommended replacement Model	Body Color	Dimen-sions	Wire connection	Mounting Dimensions	Charact-eristics	Operation ratings	Operation methods
E5EC-PR-8[ ][ ]	**	--	--	**	*	--	--

\*\* : Compatible

\* : The change is a little/Almost compatible



-- : Not compatible

- : No corresponding specification

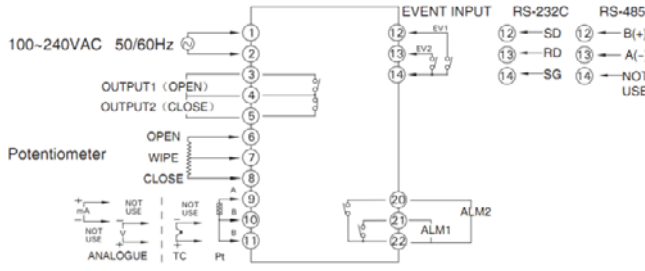
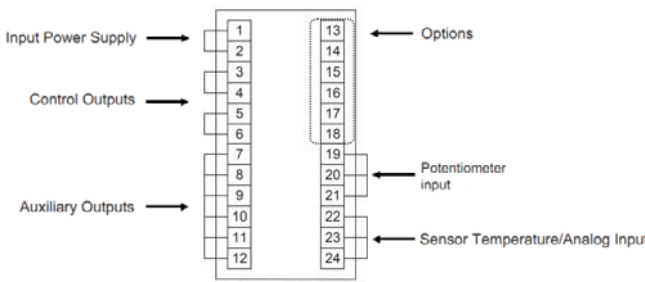
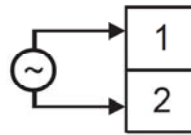
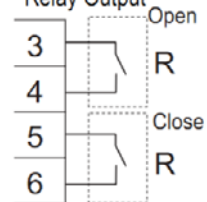

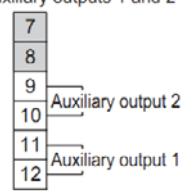
#### [ Product Discontinuation and recommended replacement ]

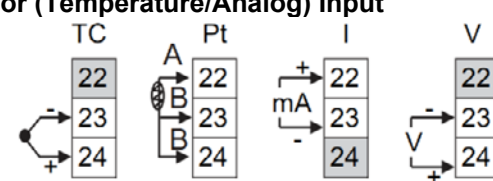
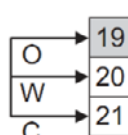
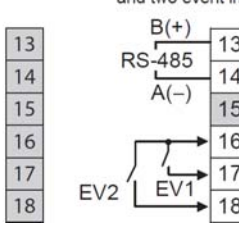
Product discontinuation	Recommended replacement
E5EZ-PRRL	E5EC-PR0ASM-800
E5EZ-PRRT	
E5EZ-PRR2L	E5EC-PR2ASM-800
E5EZ-PRR2T	
E5EZ-PRR2BL	E5EC-PR2ASM-804
E5EZ-PRR2BT	
E5EZ-PRR201L	
E5EZ-PRR201T	
E5EZ-PRR203L	
E5EZ-PRR203T	

[ Body color ]

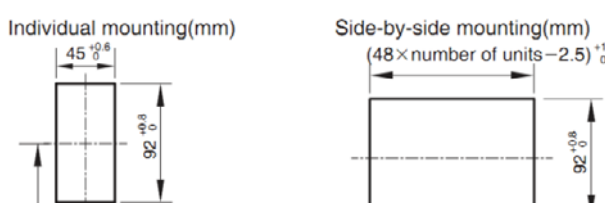
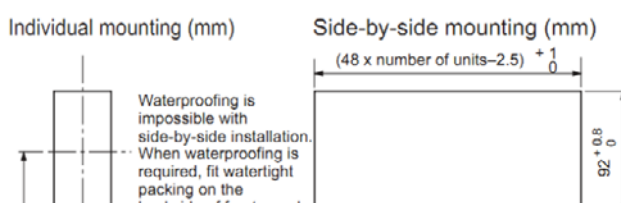
Product discontinuation Model E5EZ-PRR series	Recommendable replacement Model E5EC-PR-8□□ series
 <p style="text-align: center;">Black</p>	 <p style="text-align: center;">Black</p>

[ Wire connection ]

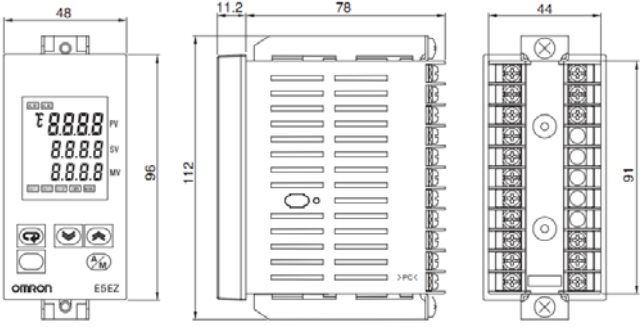
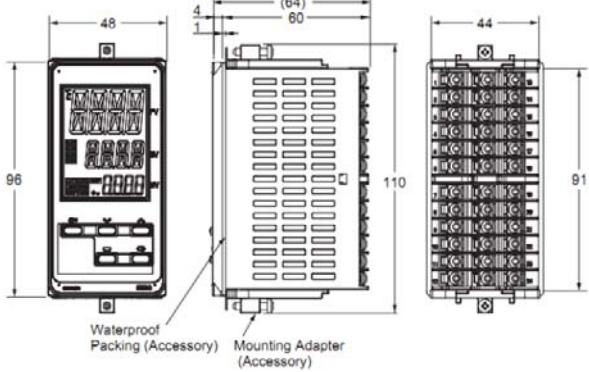
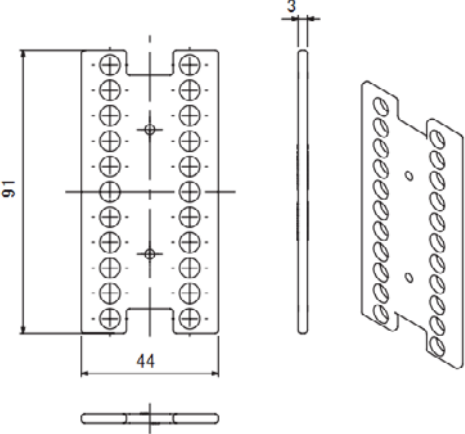
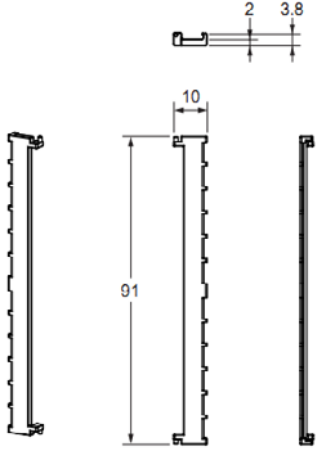
Product discontinuation Model E5EZ-PRR series	Recommendable replacement Model E5EC-PR-8□□ series
<p><b>Wire Connection</b></p> 	<p><b>Wire Connection</b></p>  <p><b>Input Power Supply</b></p>  <p><b>Control Outputs</b></p> <p>PR Models with 2 Position-proportional Relay Output</p>  <p><b>Auxiliary Inputs</b></p> <p>Without auxiliary outputs</p>  <p>Auxiliary outputs 1 and 2</p> 

Product discontinuation Model E5EZ-PRR series	Recommendable replacement Model E5EC-PR-8[ ] series
	<p><b>Sensor (Temperature/Analog) Input</b></p>  <p><b>Potentiometer Input</b></p>  <p><b>Options</b></p> <p><u>800</u> No function</p> <p><u>804</u> Communications and two event inputs</p> 

[ Mounting dimensions ]

Product discontinuation Model E5EZ-PRR series	Recommendable replacement Model E5EC-PR-8[ ] series
<p><b>Mounting dimensions</b></p>  <ul style="list-style-type: none"> <li>• Insert the main unit through the mounting hole in the panel (1-8mm thickness). Insert the mounting brackets (supplied) into the fixing slots located on the top and bottom of the rear case.</li> <li>• Alternately tighten the top and bottom screws on the mounting fixtures applying equal pressure a little at a time until the ratchet rotates freely.</li> <li>• When more than one machine is installed, make sure that the ambient temperature does not exceed the specified limit.</li> <li>• Side-by-side mounting is possible in one direction only, either horizontally or vertically.</li> </ul>	<p><b>Mounting dimensions</b> No changes</p>  <ul style="list-style-type: none"> <li>• Insert the main unit through the mounting hole in the panel (1-8 mm thickness). Insert the mounting brackets (supplied) into the fixing slots located on the top and bottom of the rear case.</li> <li>• Tighten the two mounting screws on the top and bottom of the adapter to keep them balanced, and finally tighten them to a torque of between 0.29 and 0.39 N·m.</li> <li>• When more than one machine is installed, make sure that the ambient temperature does not exceed the specified limit.</li> </ul>

[ Dimensions ]

<p>Product discontinuation Model E5EZ-PRR series</p>	<p>Recommendable replacement Model E5EC-PR-8□□ series</p>
<p><b>Dimensions Main Body</b></p> 	<p><b>Dimensions Main Body</b></p> 
<p><b>Terminal Cover E53-COV18.</b></p> 	<p><b>Terminal Cover E53-COV24.</b></p> 

[ Characteristics ]

Item	Product discontinuation Model E5EZ-PRR series	Recommendable replacement Model E5EC-PR-8□□ series
Input power Supply	100 to 240 VAC, 50/60 Hz	100 to 240 VAC, 50/60 Hz (No changes)
Operating Voltage Range	85% to 110% of rated supply voltage	85% to 110% of rated supply voltage (No changes)
Power Consumption	10 VA (100 to 240 VAC)	6.6 VA Max. (-800 type) 8.3 VA Max. (-804 type) (100 to 240 VAC model)
Indication accuracy (Thermocouple)	(±0.5% of indicated value or ±1°C, whichever is greater) ±1 digit max.	(±0.3% of indicated value or ±1°C, whichever is greater) ±1 digit max.
Indication accuracy (Platinum resistance thermometer)	(±0.5% of indicated value or ±1°C, whichever is greater) ±1 digit	(±0.2% of indicated value or ±0.8°C, whichever is greater) ±1 digit
Indication accuracy (Analog input)	±0.5% FS ±1 digit max.	±0.2% FS ±1 digit max.
Indication accuracy (Potentiometer input)	±5% FS ±1 digit max.	±5% FS ±1 digit max.
Control Output (Relay Output)	Open/Close, 250 VAC, 1 A (include inrush current)	SPST-NO, 250 VAC, 5 A (resistive load)
Alarm Output (Relay Output)	250 VAC, 2 A (resistive load)	250 VAC, 3 A (resistive load)
Control Method	2-PID control	ON/OFF or 2-PID control
Potentiometer Input	100 Ω to 2.5 kΩ	100 Ω to 10 kΩ
Degree of protection	Front panel: IP50 Rear case: IP20 Terminal section: IP00	Front panel: IP66 Rear case: IP20 Terminal section: IP00

[ Operation ratings ]

Product discontinuation Model E5EZ-PRR series					
Input Type					
Type	Input type	Input	Setting	Setting range	
T <small>(Platinum resistance thermometer input type)</small>	Platinum resistance thermometer	Pt100	0	-200~850(°C) /-300~1500(°F)	
			1	-199.9~500.0(°C) /-199.9~900.0(°F)	
		JPt100	2	0.0~100.0(°C) /0.0~210.0(°F)	
			3	-199.9~500.0(°C) /-199.9~900.0(°F)	
	Thermocouple	K	4	0.0~100.0(°C) /0.0~210.0(°F)	
			5	-200~1300(°C) /-300~2300(°F)	
			6	-20.0~500.0(°C) /0.0~900.0(°F)	
			7	-100~850(°C) /-100~1500(°F)	
		J	8	-20.0~400.0(°C) /0.0~750.0(°F)	
			9	-200~400(°C) /-300~700(°F)	
		T	22	-199.9~400.0(°C) /-199.9~700.0(°F)	
			10	0~600(°C) /0~1100(°F)	
		E	11	-100~850(°C) /-100~1500(°F)	
			12	-200~400(°C) /-300~700(°F)	
			23	-199.9~400.0(°C) /-199.9~700.0(°F)	
			13	-200~1300(°C) /-300~2300(°F)	
		Infrared thermosensor	10~70°C	17	0~90(°C) /0~190(°F)
				18	0~120(°C) /0~240(°F)
			60~120°C	19	0~165(°C) /0~320(°F)
				20	0~260(°C) /0~500(°F)
115~165°C	17		0~90(°C) /0~190(°F)		
	18		0~120(°C) /0~240(°F)		
140~260°C	19		0~165(°C) /0~320(°F)		
	20		0~260(°C) /0~500(°F)		
Analog input	0~50mV	21	Use the following ranges for scaling: -1999 to 9999, -199.9 to 999.9. Vary depends on "L", "H" value		

• When platinum resistance/thermocouple input, default= [ 5 ]

L	Current	4~20mA	0	Use the following ranges for scaling: -1999 to 9999, -199.9 to 999.9, -19.99 to 99.99, -1.999-9.999. Vary depends on "L", "H" value
(Analog input)	Voltage	1~5V	2	
		0~5V	3	
	0~10V	4		

• When L (Analog input), default= [ 0 ]

Recommendable replacement Model E5EC-PR-8[ ] series					
Input Type					
	Input type	Input	Setting	Setting range	
Temperature inputs	Platinum resistance thermometer	Pt100	0	-200 to 850 °C /-300 to 1500 °F	
			1	-199.9 to 500.0 °C /-199.9 to 900.0 °F	
		JPt100	2	0.0 to 100.0 °C /0.0 to 210.0 °F	
			3	-199.9 to 500.0 °C /-199.9 to 900.0 °F	
	Thermocouple	K	4	0.0 to 100.0 °C /0.0 to 210.0 °F	
			5	-200 to 1300 °C /-300 to 2300 °F	
			6	-20.0 to 500.0 °C /0.0 to 900.0 °F	
			7	-100 to 850 °C /-100 to 1500 °F	
		J	8	-20.0 to 400.0 °C /0.0 to 750.0 °F	
			9	-200 to 400 °C /-300 to 700 °F	
		T	22	-199.9 to 400.0 °C /-199.9 to 700.0 °F	
			10	-200 to 850 °C /-300 to 1500 °F	
		E	11	-200 to 850 °C /-300 to 1500 °F	
			12	-100 to 850 °C /-100 to 1500 °F	
			23	-199.9 to 400.0 °C /-199.9 to 700.0 °F	
			13	-200 to 400 °C /-300 to 700 °F	
		Infrared Thermosensor ES1B	10 to 70°C	21	0 to 90 °C /0 to 190 °F
				22	0 to 120 °C /0 to 240 °F
			60 to 120°C	23	0 to 165 °C /0 to 320 °F
				24	0 to 260 °C /0 to 500 °F
115 to 165°C	25		4 to 20mA		
	26		0 to 20mA		
140 to 260°C	27		1 to 5V		
	28		0 to 5V		
Analog input type	Voltage input	29	0 to 10V		

Use the following ranges for scaling: -1999 to 9999, -199.9 to 999.9, -19.99 to 99.99, -1.999 to 9.999

\*The default is "5".

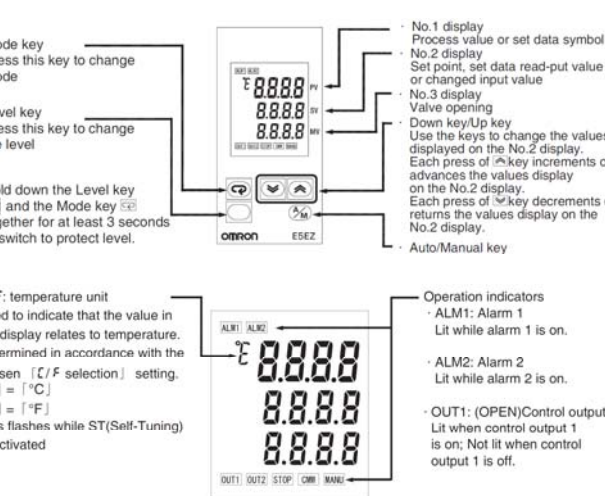
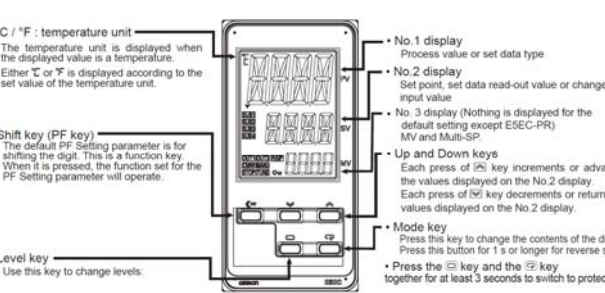
Alarm Type			
Setting value	Alarm type	Alarm output function	
		Alarm value(X): Positive	Alarm value(X): Negative
0	No alarm function	Output OFF	
1	Deviation upper- and lower-limit		Vary with "L", "H" values
2	Deviation upper-limit		Vary with "L", "H" values
3	Deviation lower-limit		Vary with "L", "H" values
4	Deviation upper- and lower-limit range		Vary with "L", "H" value
5	Deviation upper- and lower-limit with standby sequence		Vary with "L", "H" value
6	Deviation upper-limit with standby sequence		Vary with "L", "H" value
7	Deviation lower-limit with standby sequence		Vary with "L", "H" value
8	Absolute-value upper-limit		Vary with "L", "H" value
9	Absolute-value lower-limit		Vary with "L", "H" value
10	Absolute-value upper-limit with standby sequence		Vary with "L", "H" value
11	Absolute-value lower-limit with standby sequence		Vary with "L", "H" value

\*1: Upper and lower limits can be set for parameters 1, 4 and 5 to provide for different types of alarm. These are indicated by the letter [ L ] and [ H ].  
• Default= [ 2 ]

Alarm Type			
Setting	Alarm type	Alarm output function	
		Positive alarm value (X)	Negative alarm value (X)
0	No alarm function	Output off	
*1 1	Deviation upper/lower limit		Vary with "L", "H" values
2	Deviation upper limit		Vary with "L", "H" values
3	Deviation lower limit		Vary with "L", "H" values
*1 4	Deviation upper/lower range		Vary with "L", "H" values
*1 5	Deviation upper/lower limit standby sequence ON		Vary with "L", "H" values
6	Deviation upper limit standby sequence ON		Vary with "L", "H" values
7	Deviation lower limit standby sequence ON		Vary with "L", "H" values
8	Absolute value upper limit		Vary with "L", "H" values
9	Absolute value lower limit		Vary with "L", "H" values
10	Absolute value upper limit standby sequence ON		Vary with "L", "H" values
11	Absolute value lower limit standby sequence ON		Vary with "L", "H" values
12	LBA (only for alarm 1)		
13	PV Change Rate Alarm		
14	SP absolute value upper limit		Vary with "L", "H" values
15	SP absolute value lower limit		Vary with "L", "H" values
16	MV absolute value upper limit		Vary with "L", "H" values
17	MV absolute value lower limit		Vary with "L", "H" values

\*1: Upper and lower limits can be set for parameters 1, 4 and 5 to provide for different types of alarm. These are indicated by the letter "L" and "H".  
• The default alarm type is "2"

[ Operation methods ]

<p align="center"><b>Product discontinuation</b> <b>Model E5EZ-PRR series</b></p>	<p align="center"><b>Recommendable replacement</b> <b>Model E5EC-PR-8□□ series</b></p>
<p><b>Names of Parts on Front Panel</b></p>  <ul style="list-style-type: none"> <li>Mode key: Press this key to change mode.</li> <li>Level key: Press this key to change the level.</li> <li>Hold down the Level key and the Mode key together for at least 3 seconds to switch to protect level.</li> <li>No.1 display: Process value or set data symbol.</li> <li>No.2 display: Set point, set data read-out value or changed input value.</li> <li>No.3 display: Valve opening.</li> <li>Down key/Up key: Use the keys to change the values displayed on the No.2 display. Each press of the up key increments or advances the values displayed on the No.2 display. Each press of the down key decrements or returns the values displayed on the No.2 display.</li> <li>Auto/Manual key.</li> <li>°C / °F : temperature unit: Used to indicate that the value in the display relates to temperature. Determined in accordance with the chosen [C/F selection] setting. [°C] = [°C], [°F] = [°F]. This flashes while ST(Self-Tuning) is activated.</li> <li>Operation indicators: <ul style="list-style-type: none"> <li>ALM1: Alarm 1. Lit while alarm 1 is on.</li> <li>ALM2: Alarm 2. Lit while alarm 2 is on.</li> <li>OUT1: (OPEN)Control output 1. Lit when control output 1 is on; Not lit when control output 1 is off.</li> </ul> </li> <li>OUT2: (CLOSE)Control output 2. Lit when control output 2 is on; Not lit when control output 2 is off.</li> <li>CMW: Communications writing control. Lit when writing is enabled; Not lit when writing is disabled.</li> <li>STOP: Control stop. Lit when operation has stopped. Lit during control operation to indicate that EVENT INPUT or "Run/Stop" has been set to stop. Remains out at all other times.</li> <li>MANU: Manual control. Lit when manual control is on; Not lit when auto control is on.</li> </ul>	<p><b>Names of Parts on Front Panel</b></p>  <ul style="list-style-type: none"> <li>°C / °F : temperature unit: The temperature unit is displayed when the displayed value is a temperature. Either °C or °F is displayed according to the set value of the temperature unit.</li> <li>Shift key (PF key): The default PF Setting parameter is for shifting the digit. This is a function key. When it is pressed, the function set for the PF Setting parameter will operate.</li> <li>Level key: Use this key to change levels.</li> <li>No.1 display: Process value or set data type.</li> <li>No.2 display: Set point, set data read-out value or changed input value.</li> <li>No.3 display (Nothing is displayed for the default setting except E5EC-PR) MV and Multi-SP.</li> <li>Up and Down keys: Each press of the up key increments or advances the values displayed on the No.2 display. Each press of the down key decrements or returns the values displayed on the No.2 display.</li> <li>Mode key: Press this key to change the contents of the display. Press this button for 1 s or longer for reverse scroll.</li> <li>Press the Shift key and the Mode key together for at least 3 seconds to switch to protect level.</li> <li>Operation indicators: <ul style="list-style-type: none"> <li>STOP: control stop indicator. Lit when "Run/Stop" is stopped during operation. During control stop, functions other than control output are valid.</li> <li>SUB1: Auxiliary output 1 indicator.</li> <li>SUB2: Auxiliary output 2 indicator.</li> <li>OUT1: Control output 1 indicator. For a current output, lit except for a 0% output.</li> <li>OUT2: Control output 2 indicator.</li> <li>TUNE: Flashing during self-tuning. Lit during auto-tuning.</li> <li>CMW: communications writing enable/disable indicator. Lit when communications writing is "enabled" and is out when it is "disabled".</li> <li>OP: Protection indicator. Lit when Setting Change Protect is ON (disables the Up and Down Keys).</li> <li>MANU: Manual output indicator. Lit when the Auto/Manual Mode is set to Manual Mode.</li> </ul> </li> </ul>

Specifications and prices in this product news are as of the issue date and are subject to change without notice. Only main changes in specifications are described in this document. Please be sure to read the relevant catalogs, datasheets, product specifications, instructions, and manuals for precautions and necessary information when using products.