

Discontinuation Notice of a part of products in Quartz Timer H5CN series.

Product Discontinuation

Quartz Timer

Recommended Replacement

Quartz Timer



A part of Model H5CN series



Model H5CN series

[Discontinuation date]

The end of March, 2015

[Caution on recommended replacement]

- When replacing H5CN-XBC to the recommended replacement, operating mode is changed.
- When replacing H5CN-XBNS to the recommended replacement, rated time is changed.
- When replacing H5CN-XCNM and H5CN-XDNM to the recommended replacement, supply voltage is changed to AC100-240V.
- When replacing H5CN-YCNM to the recommended replacement, backup power of memory protection is not available.
- When replacing H5CN-YCNM to the recommended replacement, applicable socket is changed.

[Difference from discontinued product]

Recommended replacement Model	Body Color	Dimen-sions	Wire connection	Mounting dimensions	Charact-eristics	Operation ratings	Operation methods
H5CN-XBN AC100-240	**	**	**	**	**	--	**
H5CN-XANS DC12-48	**	**	**	**	**	--	**
H5CN-XCNM AC100-240	**	**	**	**	--	**	**
H5CN-XDNM AC100-240	**	**	**	**	--	**	**
H5CN-YCN AC100-240	**	**	--	**	**	--	**

** : Compatible

* : The change is a little/Almost compatible


-- : Not compatible

- : No corresponding specification

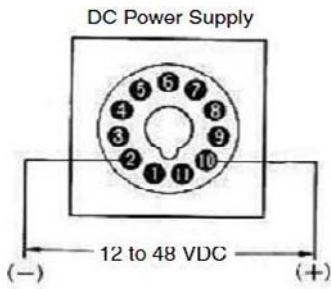
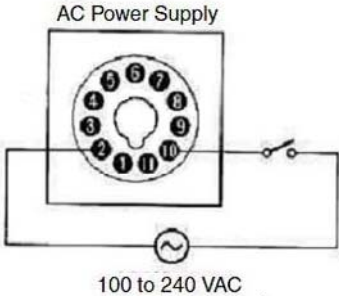
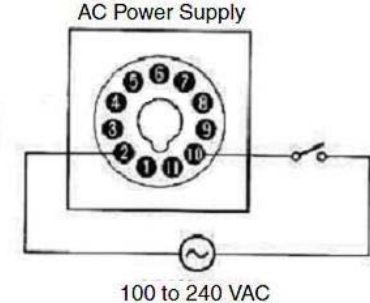
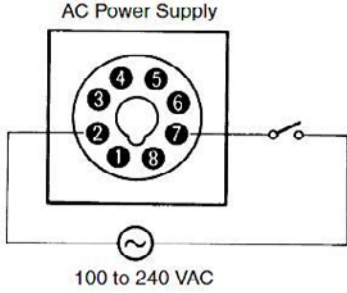
[Product discontinuation and recommended replacement]

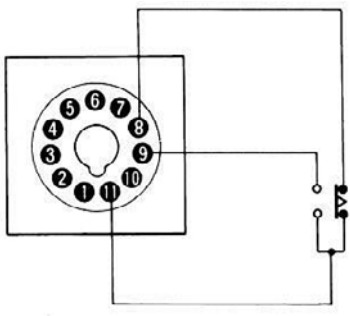
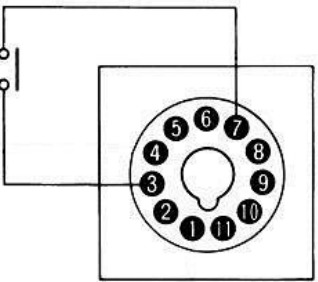
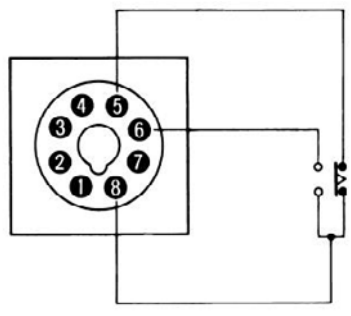
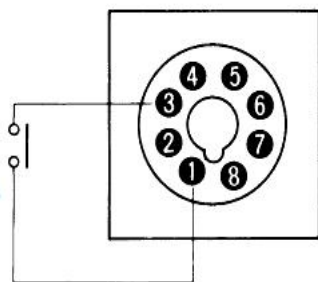
Product discontinuation	Recommended replacement
H5CN-XBC AC100-240	H5CN-XBN AC100-240
H5CN-XBNS DC12-48	H5CN-XANS DC12-48
H5CN-XCNM DC24	H5CN-XCNM AC100-240
H5CN-XDNM DC24	H5CN-XDNM AC100-240
H5CN-YCNM AC100-240	H5CN-YCN AC100-240

[Body color]

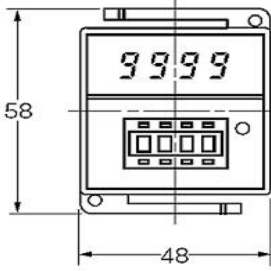
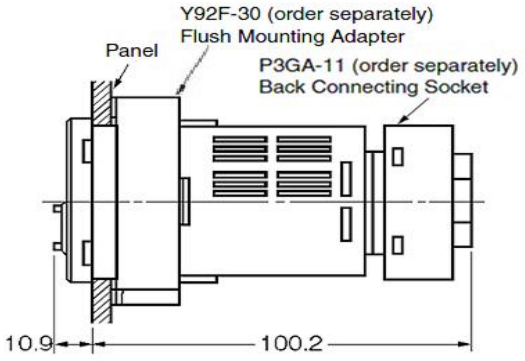
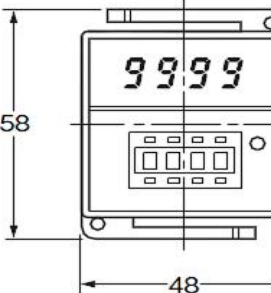
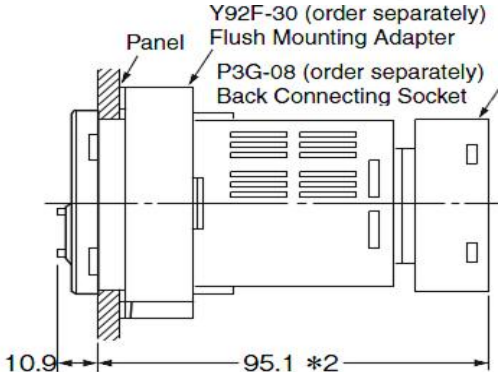
Product discontinuation Model H5CN	Recommendable replacement Model H5CN
<p>H5CN Light gray (Munsell 5Y7/1)</p> 	<p>Body color of product discontinuation and recommended replacement are the same.</p>

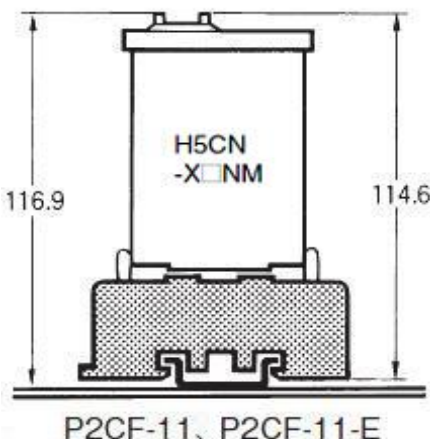
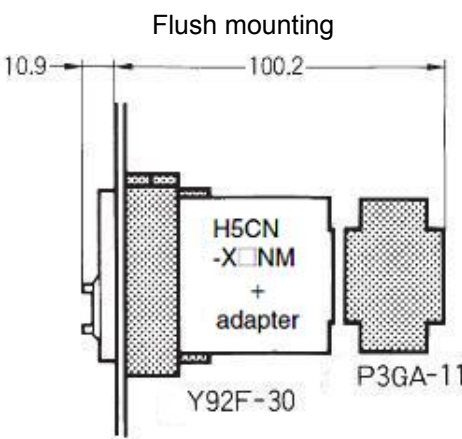
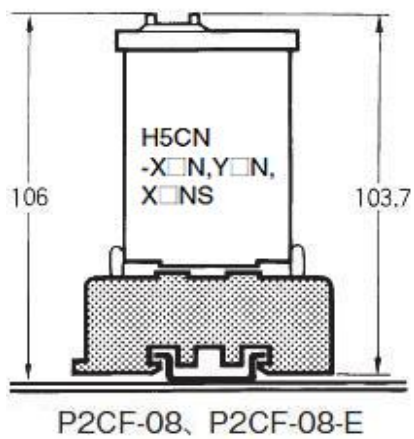
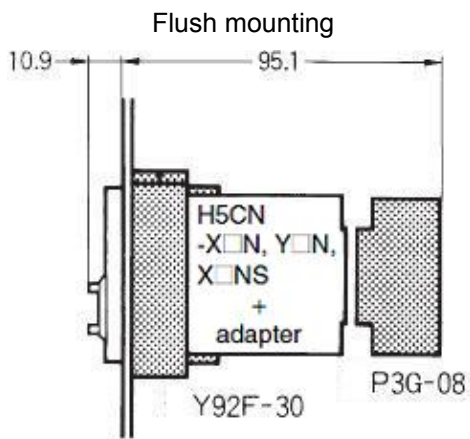
[Wire connection]

Product discontinuation Model H5CN	Recommendable replacement Model H5CN
<p>H5CN-XCNM DC24 /H5CN-XDNM DC24</p> <p>Connect the timer so that the required supply voltage can be applied across terminals ② and ⑦. (Make sure that the polarity of the DC power supply is correct.)</p> 	<p>H5CN-XCNM AC100-240 /H5CN-XDNM AC100-240</p> <p>Connect the timer so that the required supply voltage can be applied across terminals ② and ⑦.</p> 
<p>H5CN-YCNM AC100-240</p> <ul style="list-style-type: none"> • Connection of Power Supply 	<p>H5CN-YCN AC100-240</p> <p>Use the socket P2CF-08(-E) and P3G-08 PIN type is changed to 8-pin</p> <ul style="list-style-type: none"> • Connection of Power Supply 

<p align="center">Product discontinuation Model H5CN</p>	<p align="center">Recommendable replacement Model H5CN</p>
<p>H5CN-YCNM AC100-240</p> <ul style="list-style-type: none"> • Connection of Load Circuit  <ul style="list-style-type: none"> • Connection of Gate Input <p>Reset input contact (Timer resets when contact is made.)</p> 	<p>H5CN-YCN AC100-240</p> <ul style="list-style-type: none"> • Connection of Load Circuit  <ul style="list-style-type: none"> • Connection of Gate Input <p>Reset input contact (Timer resets when contact is made.)</p> 

[Dimensions]

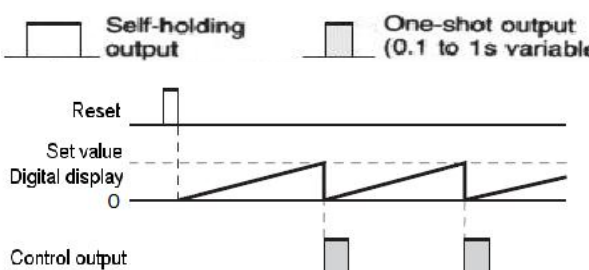
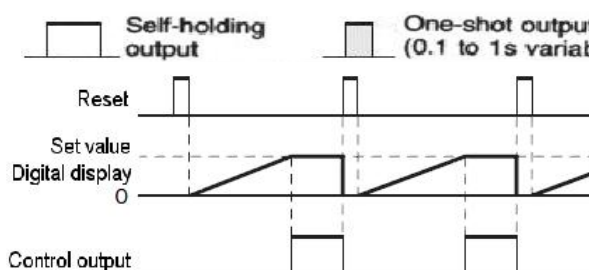
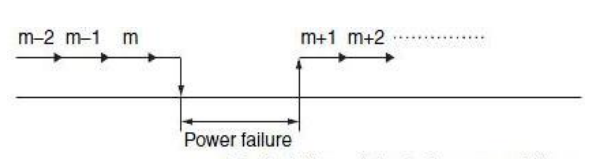
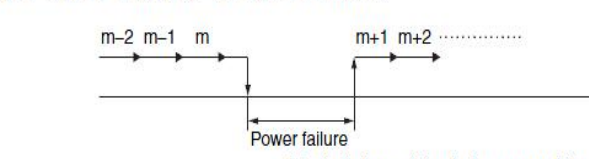
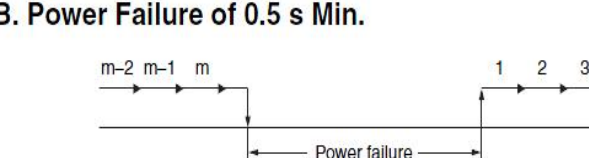
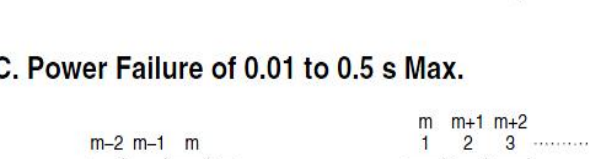
<p align="center">Product discontinuation Model H5CN</p>	
<p>H5CN-YCNM AC100-240</p> <ul style="list-style-type: none"> • Dimensions with mounting adapter <p>Model Y92F-30 Flush mounting adapter</p>	 
<p align="center">Recommendable replacement Model H5CN</p>	
<p>H5CN-YCN AC100-240</p> <p>No external dimension changes of timer for product discontinuation and recommended replacement.</p> <ul style="list-style-type: none"> • Dimensions with mounting adapter <p>Model Y92F-30 Flush and surface mounting adapters</p>	 

Product discontinuation H5CN	
<p>H5CN-YCNM AC100-240</p> <ul style="list-style-type: none"> Dimensions with front connecting socket Flush and surface mountings <div style="display: flex; justify-content: space-around; align-items: flex-start;"> <div style="text-align: center;">  <p>116.9</p> <p>H5CN -X□NM</p> <p>114.6</p> <p>P2CF-11、P2CF-11-E</p> </div> <div style="text-align: center;"> <p>Flush mounting</p>  <p>10.9</p> <p>100.2</p> <p>H5CN -X□NM + adapter</p> <p>Y92F-30 P3GA-11</p> </div> </div>	
Recommendable replacement H5CN	
<p>H5CN-YCN AC100-240</p> <ul style="list-style-type: none"> Dimensions with front connecting socket Flush and surface mountings <div style="display: flex; justify-content: space-around; align-items: flex-start;"> <div style="text-align: center;">  <p>106</p> <p>H5CN -X□N, Y□N, X□NS</p> <p>103.7</p> <p>P2CF-08、P2CF-08-E</p> </div> <div style="text-align: center;"> <p>Flush mounting</p>  <p>10.9</p> <p>95.1</p> <p>H5CN -X□N, Y□N, X□NS + adapter</p> <p>Y92F-30 P3G-08</p> </div> </div>	

[Characteristics]

Item	Product discontinuation Model H5CN	Recommendable replacement Model H5CN
		H5CN-XCNM DC24/ H5CN-XDNM DC24
Supply voltage	DC 12 to 48 V (permissible ripple: 20% max.)	AC 100 to 240 V 50/60 Hz

[Operating Characteristics]

<p align="center">Product discontinuation Model H5CN</p>	<p align="center">Recommendable replacement Model H5CN</p>
<p>H5CN-XBC AC100-240</p> <ul style="list-style-type: none"> Operating mode  <ul style="list-style-type: none"> Digital display returns to the initial setting once the set time is up. The output signal is generated repeatedly during the one-shot time. 	<p>H5CN-XBN AC100-240</p> <ul style="list-style-type: none"> Operating mode  <ul style="list-style-type: none"> The control output and digital display after the set time is up are held until a reset input is applied
<p>H5CN-XBNS DC12-48</p> <ul style="list-style-type: none"> Setting of operating time 0.1 s to 999.9 s 	<p>H5CN-XANS DC12-48</p> <ul style="list-style-type: none"> Setting of operating time 0.01 s to 99.99 s
<p>H5CN-YCNM AC100-240</p> <p>The timer status during momentary power failures is shown as follows.</p>  <p>*Restarts from status before power failure.</p>	<p>H5CN-YCN AC100-240</p> <p>The timer status during momentary power failures is shown as follows.</p> <p>A. Power Failure of 0.01 s Max.</p>  <p>*Restarts from status before power failure.</p> <p>B. Power Failure of 0.5 s Min.</p>  <p>*Restarts from initial status after power reset.</p> <p>C. Power Failure of 0.01 to 0.5 s Max.</p>  <p>*Either A or B are undefined.</p>

Specifications and prices in this product news are as of the issue date and are subject to change without notice. Only main changes in specifications are described in this document. Please be sure to read the relevant catalogs, datasheets, product specifications, instructions, and manuals for precautions and necessary information when using products.