

K3HB-V

Weighing Indicator

EN Instruction Manual

Thank you for purchasing this OMRON product. Read this instruction manual and thoroughly familiarize yourself with the functions and characteristics of the product before using it. This product is designed for use by qualified personnel with knowledge of electrical systems. Keep this instruction manual for future reference.

OMRON Corporation

©All Rights Reserved

6431999-4 H

For detailed application procedures, refer to the *Digital Indicator K3HB-S, X, V, H User's Manual* (Cat. No. N12B). For details on using communications functions, refer to the *Digital Indicator K3HB Communications User's Manual* (Cat. No. N129).

Safety Precautions

● Definition of Precautionary Information

⚠ WARNING

Indicates a potentially hazardous situation which, if not avoided, will result in minor or moderate injury, or may result in serious injury or death. Additionally there may be significant property damage.

⚠ CAUTION

Indicates a potentially hazardous situation which, if not avoided, may result in minor or moderate injury or in property damage.

● Precautionary Information

⚠ WARNING

Do not touch the terminals while power is being supplied. Doing so may possibly result in electric shock. Make sure that the terminal cover is installed before using the product.

Always provide protective circuits in the network. Without protective circuits, malfunctions may possibly result in accidents that cause serious injury or significant property damage.

Provide double or triple safety measures in external control circuits, such as emergency stop circuits, interlock circuits, or limit circuits, to ensure safety in the system if an abnormality occurs due to malfunction of the product or another external factor affecting the product's operation.

⚠ CAUTION

Do not allow pieces of metal, wire clippings, or fine metallic shavings or filings from installation to enter the product. Doing so may occasionally result in electric shock, fire, or malfunction.

Do not use the product in locations where flammable or explosive gases are present. Doing so may occasionally result in minor or moderate explosion, causing minor or moderate injury, or property damage.

Do not attempt to disassemble, repair, or modify the product. Doing so may occasionally result in minor or moderate injury due to electric shock.

Do not use the equipment for measurements within Measurement Categories II, III, or IV (according to IEC61010-1). Doing so may occasionally cause unexpected operation, resulting in minor or moderate injury, or damage to the equipment. Use the equipment for measurements only within the Measurement Category for which the product is designed.

Perform correct setting of the product according to the application. Failure to do so may occasionally cause unexpected operation, resulting in minor or moderate injury, or damage to the equipment.

Ensure safety in the event of product failure by taking safety measures, such as installing a separate monitoring system. Product failure may occasionally prevent operation of comparative outputs, resulting in damage to the connected facilities and equipment.

Tighten the screws on the terminal block and the connector locking screws securely using a tightening torque within the following ranges. Loose screws may occasionally cause fire, resulting in minor or moderate injury, or damage to the equipment.
Terminal block screws: 0.43 to 0.58 N·m
Connector locking screws: 0.18 to 0.22 N·m

Make sure that the product will not be adversely affected if the DeviceNet cycle time is lengthened as a result of changing the program with online editing. Extending the cycle time may cause unexpected operation, occasionally resulting in minor or moderate injury, or damage to the equipment.

Before transferring programs to other nodes or changing I/O memory of other nodes, check the nodes to confirm safety. Changing the program or I/O memory of other nodes may occasionally cause unexpected operation, resulting in minor or moderate injury, or damage to the equipment.

Precautions for Safe Use

- Do not use the product in the following locations.
 - Locations subject to direct radiant heat from heating equipment
 - Locations where the product may come into contact with water or oil
 - Locations subject to direct sunlight
 - Locations where dust or corrosive gases (in particular, sulfuric or ammonia gas) are present
 - Locations subject to extreme temperature changes
 - Locations where icing or condensation may occur
 - Locations subject to excessive shocks or vibration
- Do not use the product in locations subject to temperatures or humidity levels outside the specified ranges or in locations prone to condensation. If the product is installed in a panel, ensure that the temperature around the product (not the temperature around the panel) does not go outside the specified range.
- Provide sufficient space around the product for heat dissipation.
- Use and store the product within the specified temperature and humidity ranges. If several products are mounted side-by-side or arranged in a vertical line, the heat dissipation will cause the internal temperature of the products to rise, shortening the service life. If necessary, cool the products using a fan or other cooling method.
- The service life of the output relays depends on the switching capacity and switching conditions. Consider the actual application conditions and use the product within the rated load and electrical service life. Using the product beyond its service life may result in contact welding or burning.
- Install the product horizontally.
- Mount to a panel between 1 and 8-mm thick.
- Use the specified size of crimp terminals (M3, width: 5.8 mm max.) for wiring. To connect bare wires, use AWG22 to AWG14 to wire the power supply terminals and AWG28 to AWG16 for other terminals. (Length of exposed wire: 6 to 8 mm)
- In order to prevent inductive noise, wire the lines connected to the product separately from power lines carrying high voltages or currents. Do not wire in parallel with or in the same cable as power lines. Other measures for reducing noise include running lines along separate ducts and using shield lines.
- Ensure that the rated voltage is achieved no longer than 2 s after turning the power ON.
- Allow the product to operate without load for at least 15 minutes after the power is turned ON.
- Do not install the product near devices generating strong high-frequency waves or surges. When using a noise filter, check the voltage and current and install it as close to the product as possible.
- Do not use thinner to clean the product. Use commercially available alcohol.
- Be sure to confirm the name and polarity for each terminal before wiring the terminal block and connectors.
- Use the product within the noted supply voltage and rated load.
- Do not connect anything to unused terminals.
- Output turns OFF when the mode is changed or settings are initialized. Take this into consideration when setting up the control system.
- Install an external circuit breaker or switch that conforms to IEC60947-1 and IEC60947-3 requirements and label them clearly so that the operator can quickly turn OFF the power.
- Use the specified cables for the communications lines and stay within the specified DeviceNet communications distances. Refer to the *User's Manual* (Cat. No. N129) for details on communications distance specifications and cables.
- Do not pull the DeviceNet communications cables with excessive force or bend them past their natural bending radius.
- Do not connect or remove connectors while the DeviceNet power is being supplied. Doing so will cause product failure or malfunction.
- Use cables with heat resistance of 70°C min.
- This is a class A product. In residential areas it may cause radio interference, in which case the user may be required to take adequate measures to reduce interference.

Specifications

● Ratings

Power supply voltage	100 to 240 VAC 50/60Hz, 24 VAC 50/60Hz/ 24VDC DeviceNet power supply: 24 VDC
Allowable power supply voltage range	85% to 110% of the rated power supply voltage DeviceNet power supply: 11 to 25 VDC
Power consumption	100 to 240 V: 18 VA max. (max. load) 24 VAC/DC: 11 VA/7 W max. (max. load)
Current consumption	DeviceNet power supply: 50 mA max. (24 VDC)
Input	DC voltage
A/D conversion method	Delta-Sigma method
Output ratings	Relay output 250 VAC, 30 VDC, 5 A (resistive load) Mechanical life expectancy: 5,000,000 operations Electrical life expectancy: 100,000 operations
	Transistor output Maximum load voltage: 24 VDC Maximum load current: 50 mA Leakage current: 100 µA max.
	Linear output 0 to 20 mA DC, 4 to 20 mA DC: 500 Ω load max. Resolution: Approx. 10,000; Output error: ±0.5 % FS 0 to 5 VDC, 1 to 5 VDC, 0 to 10 VDC: 5 KΩ load min.; Resolution: Approximately 10,000 Output error: ±0.5 % FS, except for 1 V or less: ±0.15 V, -0 V
Ambient operating temperature	-10°C to 55°C (with no icing or condensation)
Ambient operating humidity	25% to 85%
Storage temperature	-25°C to 65°C (with no icing or condensation)
Altitude	2,000 m max.

* When the power is turned ON for models with a DC power supply, a control power supply of 1 A per Weighing Indicator is required. Make sure that the power supply capacity is sufficient when using multiple Weighing Indicators. The recommended DC power supply is the OMRON S8VS-series Power Supply.

● Characteristics

Display range	-19999 to 99999
Sampling period	20 ms
Insulation resistance	20 MΩ min. (at 500 VDC)
Dielectric strength	2,300 VAC for 1 min between external terminals and case
Noise immunity	100 to 240 VAC models: ±1,500 V at power supply terminals in normal or common mode 24 VAC/VDC models: ±1,500 V at power supply terminals in normal or common mode (waveform with 1-ns rising edge and pulse width of 1 µs/100 ns)
Vibration resistance	Frequency: 10 to 55 Hz; Acceleration: 50 m/s ² 10 sweeps of 5 min each in X, Y, and Z directions
Shock resistance	150 m/s ² (100 m/s ² for relay outputs) 3 times each in 3 axes, 6 directions
Weight	Approx. 300 g (Digital Panel Meter only)
Enclosure ratings	Front panel Conforms to NEMA 4X (equivalent to IP66)
	Rear case IP20
	Terminals IP00 + finger protection (VDE0106/100)
Memory protection	EEPROM (non-volatile memory) Number of rewrites: 100,000 times
Installation environment	Overvoltage category II, Pollution degree 2 (as per IEC61010-1)
Applicable standards	UL61010-1, CAN/CSA C22.2 No. 61010-1.04 (evaluated by UL) EN61010-1 (IEC61010-1) EN61326-1

● Measurement Range

Input type	Set value	Measurement range	Terminal No.
A	A L L	0.00 to 199.99 mV	E2-E6
B	b L L	0.000 to 19.999 mV	E3-E6
C	L L L	±100.00 mV	E4-E6
D	d L L	±199.99 mV	E5-E6

Conformity to Safety Standards

Always use a EN/IEC-compliant power supply with reinforced insulation or double insulation for the DeviceNet power supply. The product must be used indoors for the above applicable standards to apply.

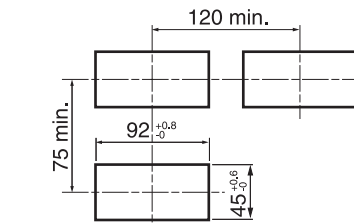
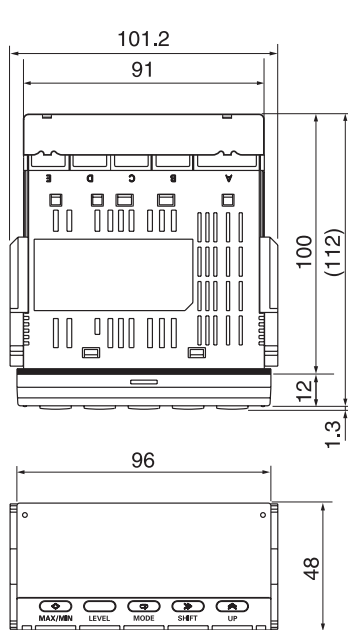
Installation

● Dimensions

Units: mm

● Panel Cutout Dimensions

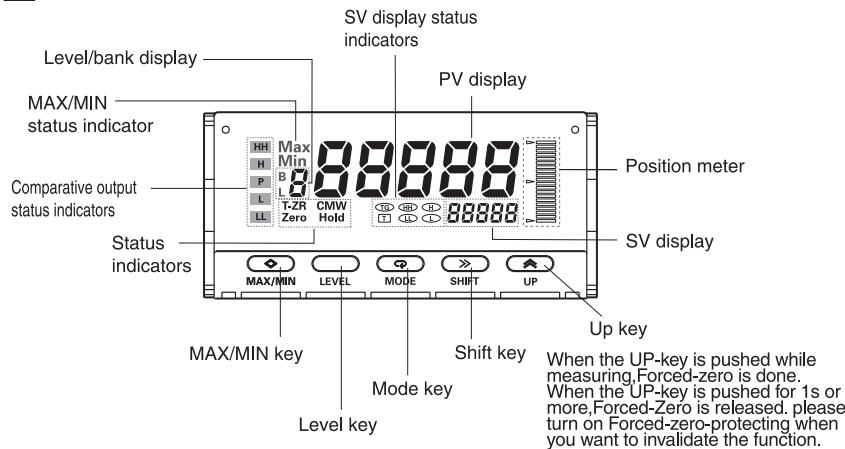
Insert the Weighing Indicator into the cutout, fit the adapter into the grooves on the left and right sides of the rear case, and then push the Weighing Indicator into the panel so that there are no gaps between it and the panel.



● Contents of Package

- Main Unit
- Terminal cover
- Manual
- Fixture
- Waterproof packing
- Unit label
- DeviceNet Connector*
- Crimp Terminals (HIROSE ELECTRIC CO., LTD.: HR31-SC-121)*
- *-DRT models

Names and Functions of Parts



● Error Display

PV display	SV display	Description of error	Countermeasure
Unit (UNIT)	Err (ERR)	An unexpected Unit was detected.	Check the Unit's model number and mount it in the correct position.
Unit (UNIT)	CHG (CHG)	Displayed the first time the power is turned ON after mounting a new Unit.	Press the [LEVEL] key for at least 3 s. to register the new Unit configuration.
Disp (DISP)	Err (ERR)	Display error	Repair is necessary. Consult your OMRON representative.
SYS (SYS)	Err (ERR)	Internal memory error	
EEP (EEP)	Err (ERR)	Error in non-volatile memory	Press the [LEVEL] key in this state for at least 3 s to return to the factory settings. (See note 1.)
S.Err (S.ERR)		Input error	Return the input to within the measurement range.
99999 or -99999 (flashing)	Normal operation	The input value is out of range or the PV is either greater than 99999 or less than -99999.	Return the input to within the displayable range.

*1: The parameters already set are returned to the factory settings. If the problem still persists after performing initialization, repair is necessary.

Suitability for Use

OMRON shall not be responsible for conformity with any standards, codes, or regulations that apply to the combination of the products in the customer's application or use of the product. Take all necessary steps to determine the suitability of the product for the systems, machines, and equipment with which it will be used.

Know and observe all prohibitions of use applicable to this product.

NEVER USE THE PRODUCTS FOR AN APPLICATION INVOLVING SERIOUS RISK TO LIFE OR PROPERTY WITHOUT ENSURING THAT THE SYSTEM AS A WHOLE HAS BEEN DESIGNED TO ADDRESS THE RISKS, AND THAT THE OMRON PRODUCT IS PROPERLY RATED AND INSTALLED FOR THE INTENDED USE WITHIN THE OVERALL EQUIPMENT OR SYSTEM.

See also Product catalog for Warranty and Limitation of Liability.

Contact Information

OMRON ELECTRONICS LLC.
One Commerce Drive Schaumburg, IL 60173-5302 U.S.A
Phone: 1-847-843-7900 Fax: 1-847-843-7787

OMRON CANADA INC.
885 Milner Avenue Scarborough, Ontario M1B 5V8, CANADA
Phone: 1-416-286-6465 Fax: 1-416-286-6648

OMRON EUROPE B.V.
Wegalaan 67-69, 2132 JD Hoofddorp The Netherlands
Phone: 31-23-56-81-300 Fax: 31-23-56-81-388

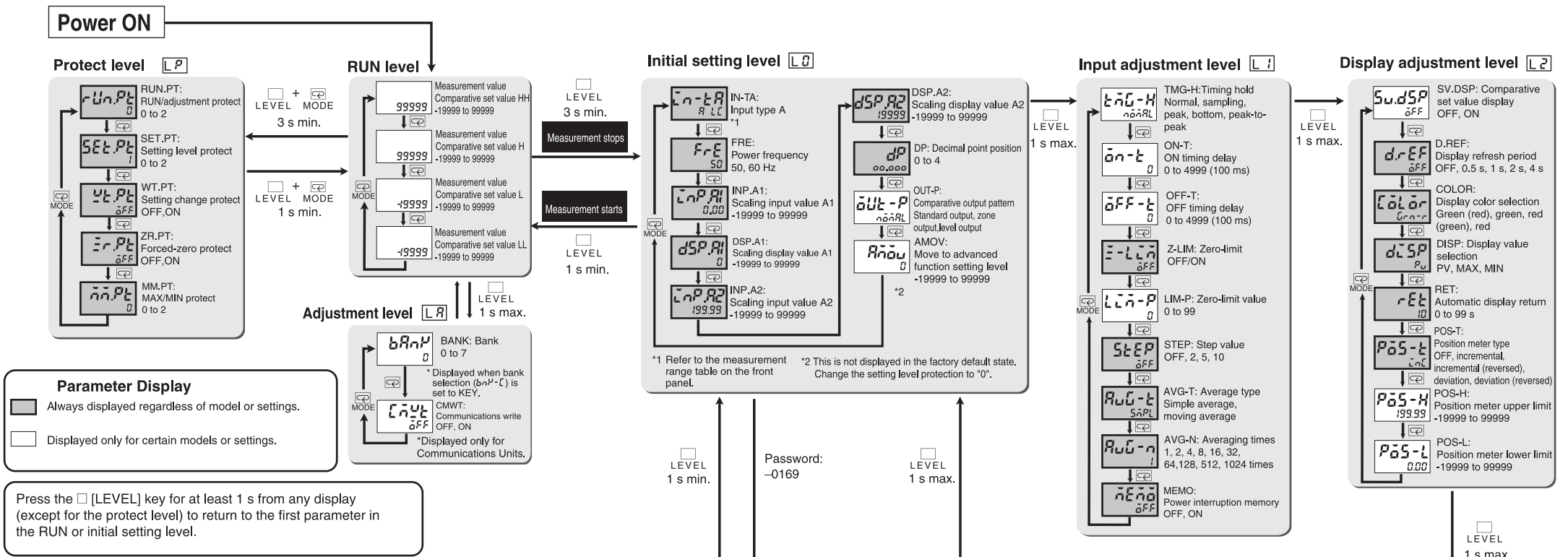
OMRON ELECTRONICS PTY.LTD.
71 Epping Road, North Ryde, Sydney, N.S.W 2113, Australia
Phone: 61-2-9878-6377 Fax: 61-2-9878-6981

OMRON ASIA-PACIFIC PTE. LTD.
No.438A Alexandra Road #05-05/08(Lobby 2), Alexandra Technopark, Singapore 119967
Phone: 65-6835-3011 Fax: 65-6835-2711

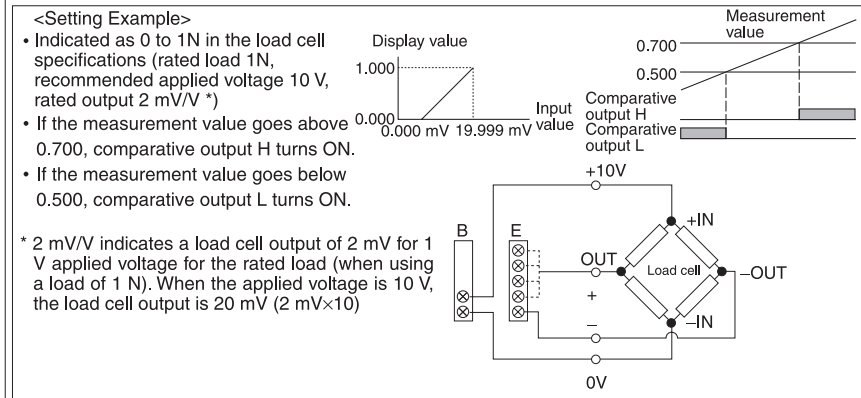
Manufacturer

OMRON CORPORATION
Shiohji Horikawa, Shimogyo-ku, KYOTO, 600-8530 Japan

Parameter Move Diagram



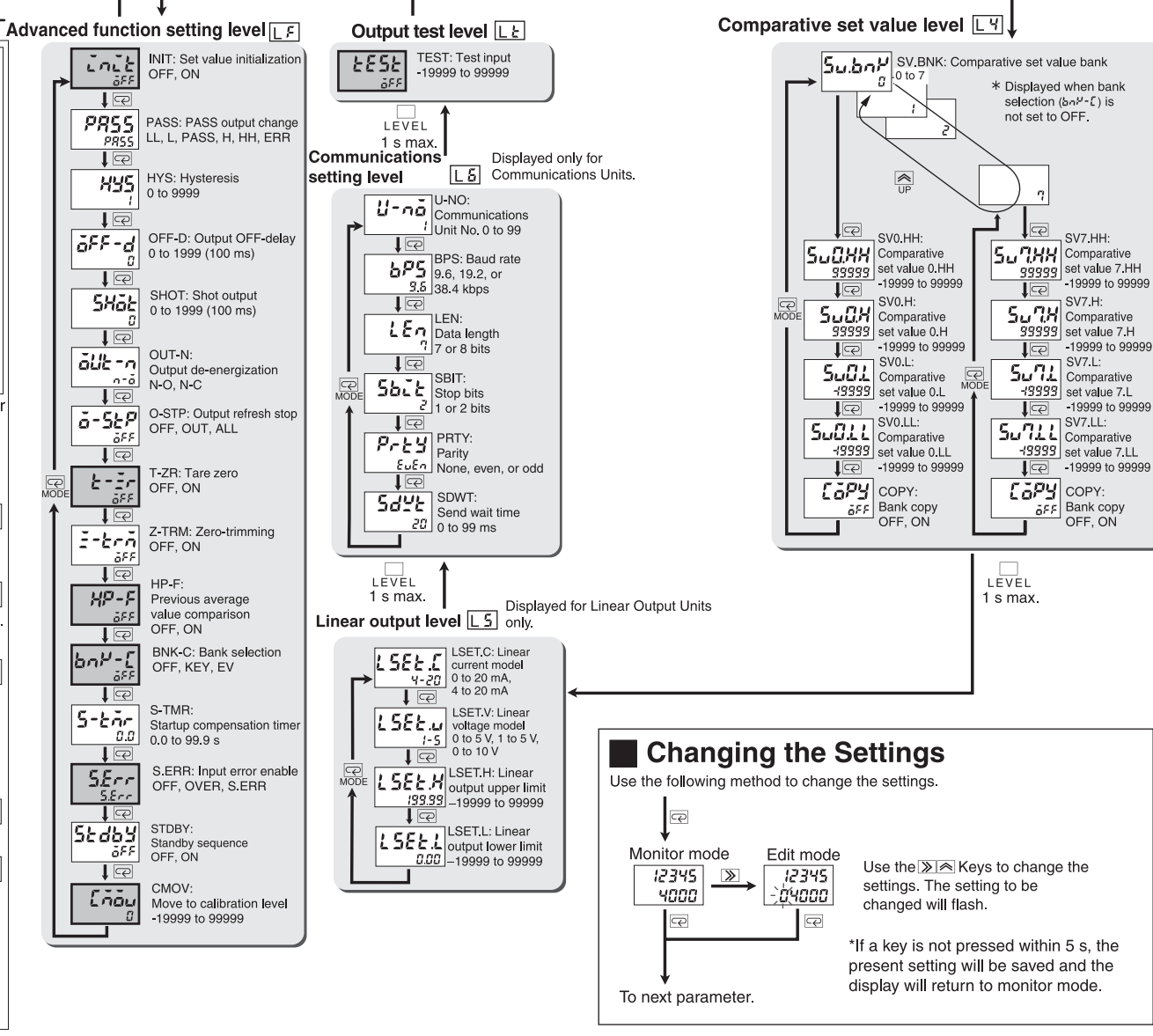
Basic Operation



Note 1. Be sure to perform step B in the order given here. Performing this step in any other order will cause automatic initialization of the set values, resulting in unexpected operation.

2. To change a set value, press the [SHIFT] key. (The digit that can be changed will flash.) Use the [SHIFT] key to move to the digit to be changed, and change the setting using the [UP] key.

- Check the wiring and turn the power ON.**
If the display flashes "5Err" this indicates that the input is outside the set range, and does not indicate product failure.
- Set input type A to 0.000 to 19.999 mV.**
1. Move to the initial setting level by pressing the [LEVEL] key for at least 3 s (operation will stop).
2. Set input type A "IN-TA" to "b L L" and press the [MODE] key twice.
- Set the scaling value.**
1. Set scaling input value A1 "INP.A1" to "0.000" and press the [MODE] key.
2. Set scaling display value A1 "DSP.A1" to "0" and press the [MODE] key.
3. Set scaling input value A2 "INP.A2" to "19.999" and press the [MODE] key.
4. Set scaling display value A2 "DSP.A2" to "1000" and press the [MODE] key.
- Set the decimal point position.**
1. Set the parameter "DP" to "00.000" and press the [MODE] key.
- Set comparative set value H to 0.700 and set comparative set value L to 0.500.**
1. Return to the RUN level by pressing the [LEVEL] key for at least 1 s. (Start operation.)
2. Press the [MODE] key repeatedly until the SV display status shows (H).
3. Set the value to "0.700" and press the [MODE] key. (The SV display status will show (L).)
4. Set the value to "0.500" and press the [MODE] key. The setting procedure is completed.



Wiring Diagram

